



Series CEU

Series CEP1

## Scale Cylinder & Counter

# Series CE

### CEP1/CEU5

Resolution: 0.01mm (accuracy  $\pm 0.02\text{mm}$ )

External output function: RS-232C BCD

Multipoint output: 5 points (20 points with bank switching)

31 points (binary output)

23045



High Precision Scale Cylinder/ Series CEP1  
 Multi Counter/Series CEU5  
 Upgraded Scale Cylinder/Series CE1

# Achieve rationalization

## A scale cylinder with



Measurement is possible throughout the full stroke range.

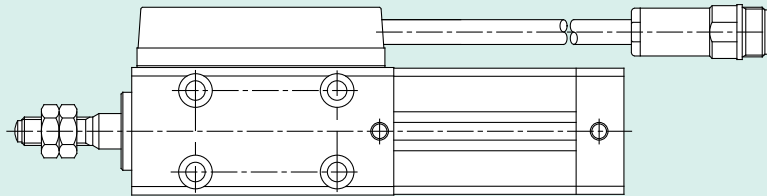
The home position can be anywhere within the cylinder stroke.

→ When the counter is reset by pressing the cylinder rod to the reference plane, that point becomes the home position.

New

### High Precision Scale Cylinder (CEP1)

- Resolution: 0.01mm (accuracy± 0.02mm)
- Special scraper now standard (IP-67)
- 2 kinds of seal material available (order made)
- Power supply voltage 12 to 24VDC

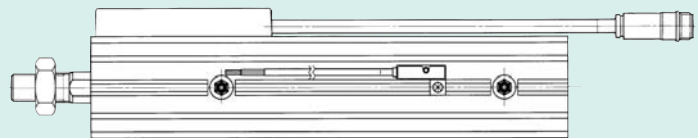


• Auto switch mounting orientation can be freely selected (3 mounting surfaces)

Upgraded

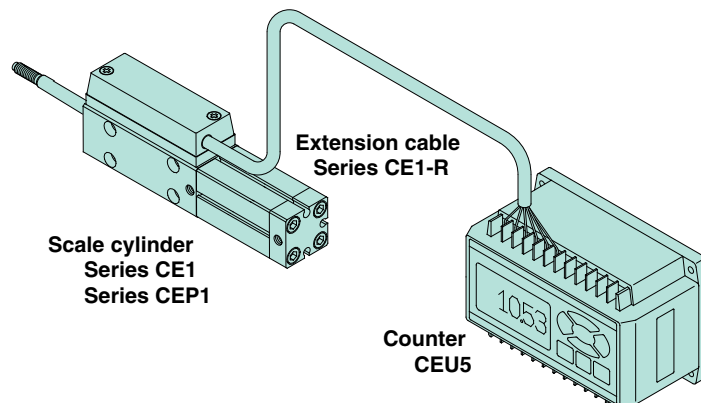
### Scale Cylinder (CE1)

- Resolution: 0.1mm (accuracy± 0.2mm)
- Water resistance improved by changing the sensor unit filler



- Power supply voltage 12 to 24VDC
- Abundant stroke variations
- Improved noise resistance

### System Configuration



# on of production lines th position feedback



## Tolerances of preset values can be set. (CEU5)

Tolerances can be set for preset values.

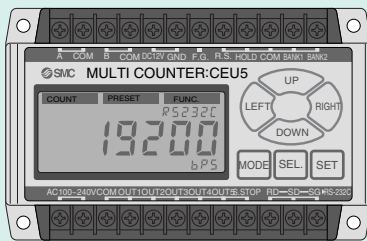
**CEU1:** ± set tolerance

**CEU5:** + set tolerance, – set tolerance (separate settings)

## Simple operation

New

### Multi Counter (CEU5)



- Output terminal: 5 points
- Number of output settings: 20 points (bank switching) 31 points (binary output)
- Communication function with RS-232C
- With BCD output (optional)
- Maximum counting speed 100kHz
- Prescale function
- With multiplication switching (1, 2, 4 multiplication)
- DIN rail mountable
- 6 digit counter display

Includes all functions of the CEU1.

## Series Guide

### Series CE1

Bore size (mm)	Standard stroke (mm)											Available stroke range	
	25	50	75	100	125	150	175	200	250	300	400		500
12	●	●	●	●	●	●							25 to 150
20	●	●	●	●	●	●	●						25 to 300
32		●	●	●	●	●	●	●	●	●			25 to 400
40			●	●	●	●	●	●	●	●	●	●	25 to 600
50								●		●		●	25 to 600
63								●		●		●	25 to 600

### Series CEP1

Bore size (mm)	Standard stroke (mm)			
	25	50	75	100
12 equiv.	●	●	●	●
20 equiv.	●	●	●	●

### CEU5

Count data output	RS-232C+BCD		RS-232C	
	NPN	PNP	NPN	PNP
Output transistor system	●	●	●	●
Power supply voltage	●	●	●	●
100 to 240VAC	●	●	●	●
24VDC	●	●	●	●

### Extension cable

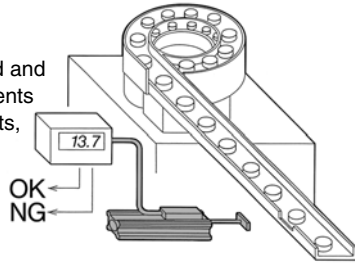
Cable length (m)			
5	10	15	20
●	●	●	●

# Series CE

## Applications

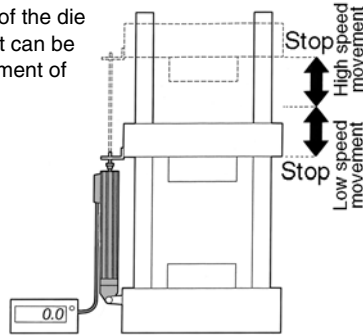
### Parts inspection

Measures part dimensions, discriminates between good and defective articles, and prevents the mingling of different parts, etc.



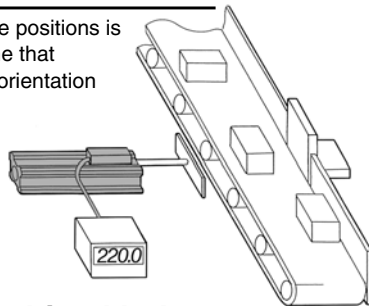
### Detection of die assembly's deceleration point

Since the deceleration point of the die assembly can be set at will, it can be easily changed after replacement of the die assembly.



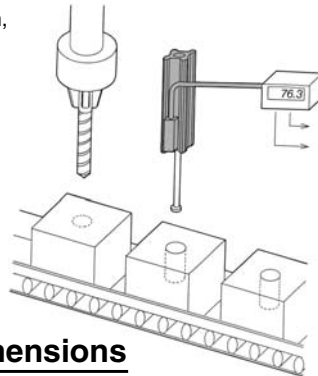
### Length/breadth discrimination

Straightening of work piece positions is performed at the same time that longitudinal or transverse orientation is distinguished.



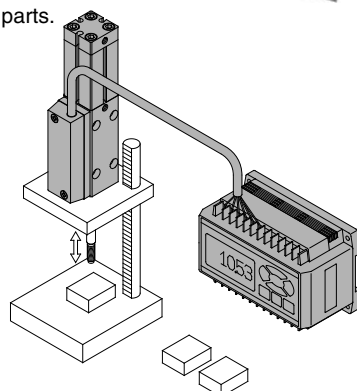
### Inspection of machined holes

Can detect machined hole depth, burrs and foreign matter, etc.



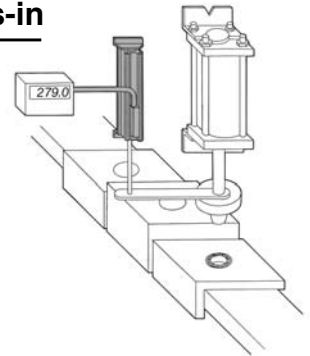
### Measurement of dimensions

Can measure dimensions of parts.



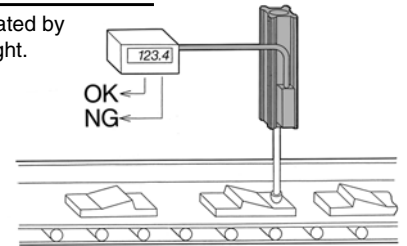
### Confirmation of press-in

Can confirm the press-in of a hydraulic cylinder by detecting its stroke. Even if the size of the work piece changes, the point of press-in completion can be easily changed.



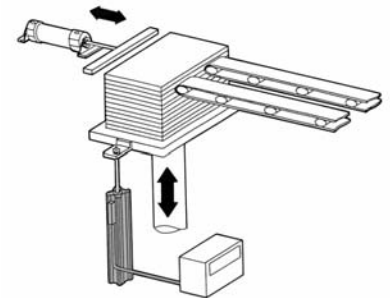
### Discrimination of direction

Direction can be discriminated by measuring work piece height.



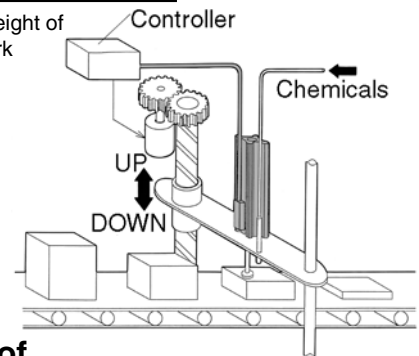
### Detection of lifter position

Can continuously monitor a lifter's stroke.



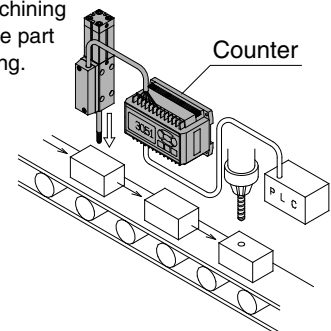
### Nozzle height adjustment

Maintains a constant height of the nozzle from the work piece by measuring the work piece height.



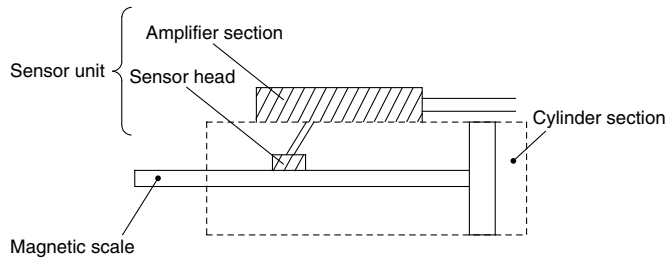
### Measurement of machining dimensions

Performs adjustment of machining depth, etc. by measuring the part dimensions before machining.

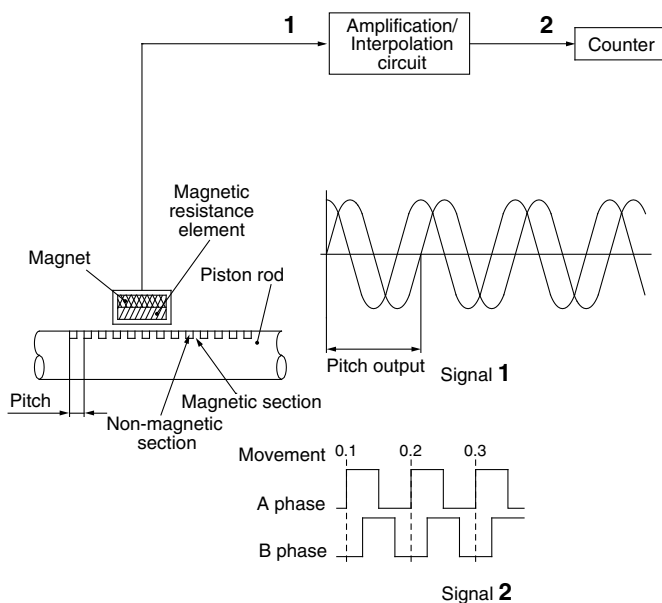


## Measurement Principles

The amount of rod movement in the scale cylinder is detected using an MR element (magnetic resistance element) whose resistance value changes due to magnetic force. The detection unit containing this MR element is called the sensor head. An amplifying circuit and a dividing circuit are required to produce output which can be read by the counter, and these are attached to the cylinder case. The sensor head and amplifier section together are referred to as the sensor unit.



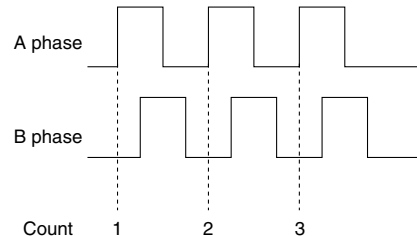
The scale cylinder is equipped with the capability of outputting the piston stroke movement as a pulse signal. The measurement principle is as shown in the drawing below.



- (1) A scale of magnetic layers and non-magnetic layers with a pitch of 0.8mm is cut into the piston rod.
- (2) With movement of the piston rod, a sin, cos 2-phase signal (Signal 1) is received by the magnetic resistance element. For this wave form, 1 pitch (0.8mm) becomes exactly 1 cycle.
- (3) This is amplified and divided into 1/8 parts. As a result, a 90° phase difference pulse signal of 0.1mm/pulse (Signal 2) is output.
- (4) By measuring this pulse signal with the counter, it is possible to detect the piston position with a resolution of 0.1mm.
- (5) In the case of the high precision scale cylinder, the sin, cos 2-phase signal obtained in (2) is amplified and divided into 1/20 parts. As a result, a 90° phase difference pulse signal of 0.04mm/pulse (Signal 2) is output.
- (6) By multiplying this pulse signal by 4 with the counter, it is possible to detect the piston position with a resolution of 0.01mm.

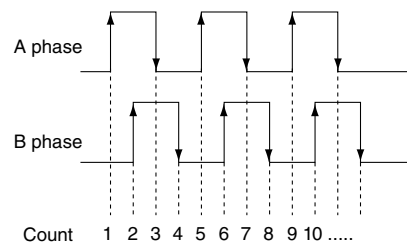
## A/B phase difference output (90° phase difference output)

When movement is expressed by a single line of pulses, it is impossible to accurately identify the current position, because pulse waves appear in both upward and downward directions. Accordingly, in A/B phase difference output, two lines of pulses are provided, wherein one line detects the movement and the other distinguishes the direction.



## 4 times multiplication function

This function increases resolution 4 times by counting 4 for each cycle of pulses, instead of counting 1 for each cycle as is normally the case. In principle, this function counts each time there is a rise or fall in either of the A or B phase pulses.



## Counting speed (kHz, kcps)

Counting speed indicates the number of pulses that can be counted per second. If the scale cylinder is operated at high speeds, pulse waves are output in shorter cycles. The counting speed of the counter must be higher than the pulse speed for the maximum piston speed when operating. Since the scale cylinder outputs one pulse for each 0.1mm of movement, 5,000 pulses will be output for each 500mm of movement. Therefore, a speed of 500mm/s is equivalent to 5kcps (kHz), but a counting speed 2 to 3 times greater is recommended for actual operation.

## Accuracy

The accuracy is the difference between the dimensions based upon the signals of the scale cylinder and the absolute dimensions.

The maximum display error that will appear on the counter's digital display is equal to twice ( $\pm 1$  count) the resolution when the home position is reset and when dimensions are measured.

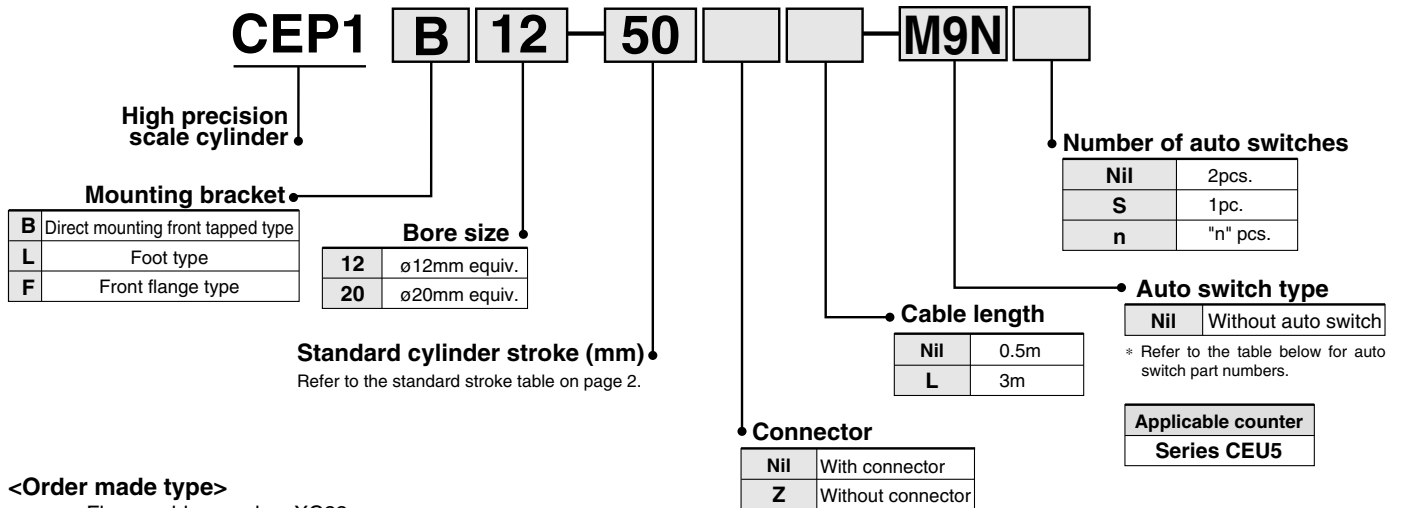
Non-rotating  
Type

# High Precision Scale Cylinder

## Series **CEP1**

### ø12, ø20

### How to Order



<Order made type>

Fluoro rubber seals: -XC22  
(Example) CEP1B12-100-F9N-XC22

<Options>

Extension cable **CE1-R 05** [ ]

**Cable length**

<b>05</b>	5m
<b>10</b>	10m
<b>15</b>	15m
<b>20</b>	20m

**Cable suffix**

<b>Nil</b>	Extension cable
<b>C</b>	Extension cable & connector

**Mounting bracket part numbers**

Cylinder part no.	Foot	Front flange
<b>CEP1□12</b>	CEP1-L12	CEP1-F12
<b>CEP1□20</b>	CEP1-L20	CEP1-F20

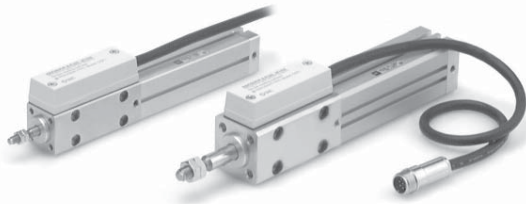
**Applicable auto switch types**

Type	Special function	Indicator light	Wiring (output)	Load voltage		Electrical entry direction		Lead wire length (m)			Applicable load	Maximum load current & load current range											
				DC	AC	Vertical	Lateral	0.5 (Nil)	3 (L)	5 (Z)													
Reed switch	—	No	2 wire	24V or less	24V or less	<b>A90V</b>	<b>A90</b>	●	●	—	Relay PLC IC circuit	50mA											
				48V or less	48V or less							40mA											
				100V or less	100V or less							20mA											
Solid state switch	—	Yes	2 wire	24V	—	<b>A93V</b>	<b>A93</b>	●	●	—	Relay PLC	5 to 40mA											
				—	100V							5 to 20mA											
				4 to 8V	—							<b>A96V</b>	<b>A96</b>	●	●	—	IC circuit	20mA					
		Diagnostic indication (2 colour indicator)	Yes	3 wire (NPN)	10 to 28V	—	<b>M9NV</b>	<b>M9N</b>	●	●	—	Relay PLC	50mA										
														3 wire (PNP)	10 to 28V	—	<b>M9PV</b>	<b>M9P</b>	●	●	—		
														2 wire	10 to 28V	—	<b>M9BV</b>	<b>M9B</b>	●	●	—	Relay PLC	5 to 30mA
														3 wire (NPN)	10 to 28V	—	<b>M9N WV</b>	<b>M9N W</b>	●	●	○	Relay PLC	50mA
Water resistant (2 colour indicator)	—	2 wire	10 to 28V	—	<b>M9BWV</b>	<b>M9B W</b>	●	●	○	Relay PLC	5 to 30mA												
												2 wire	12V, 24V	—	—	<b>M9BA</b>	—	●	○	Relay PLC	5 to 30mA		

\* Lead wire length symbol 0.5m ..... Nil (Example) M9B 5m ..... Z (Example) M9BZ  
3m ..... L (Example) M9BL  
\* Solid state auto switches marked with a "○" are produced upon receipt of order.  
\* The standard cable length for M9BA is 3m.

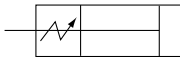
# High Precision Scale Cylinder *Series CEP1*

## Cylinder Specifications



<b>Action</b>	Double acting single rod (non-rotating piston)	
<b>Fluid</b>	Air	
<b>Proof pressure</b>	1.5MPa {15.3kgf/cm <sup>2</sup> }	
<b>Maximum operating pressure</b>	1.0MPa {10.2kgf/cm <sup>2</sup> }	
<b>Minimum operating pressure</b>	ø12	ø20
	0.15MPa {1.5kgf/cm <sup>2</sup> }	0.1MPa {1.0kgf/cm <sup>2</sup> }
<b>Piston speed</b>	50 to 300mm/s	
<b>Ambient &amp; fluid temperature</b>	0°C to 60°C (without freezing)	
<b>Lubrication</b>	Non-lube	
<b>Stroke length tolerance range</b>	0 to +1.0	
<b>Cushion</b>	None	
<b>Rod non-rotating accuracy</b>	ø12	ø20
	±2°	±3°
<b>Mounting</b>	Direct mounting front tapped type (standard), Foot type, Front flange type	
<b>Thread tolerance</b>	JIS Class 2	

### Symbol



## Sensor Specifications

<b>Cable</b>	ø7, 6-core twisted pair shielded wire (oil, heat & flame resistant) (connector ... made by TAJIMI ELECTRONICS CO., LTD., R04-J8M7.3)
<b>Transmission distance</b>	23m (when using SMC cable and counter)
<b>Position detection system</b>	Magnetic scale rod, sensor head <incremental type>
<b>Magnetic resistance</b>	145 gauss
<b>Power supply</b>	12 to 24VDC (±10%) (power supply ripple: 1% or less)
<b>Current consumption</b>	50mA
<b>Resolution</b>	0.01mm (with 4 times multiplication)
<b>Accuracy (20°C)</b>	±0.02mm <sup>Note 1)</sup>
<b>Output type</b>	Open collector (24VDC, 40mA)
<b>Output signal</b>	A/B phase difference output
<b>Insulation resistance</b>	500VDC, 50MΩ or more (between case and 12E)
<b>Vibration resistance</b>	33.3Hz 6.8G 2 hrs. each in X, Y directions 4 hrs. in Z direction based upon JIS D1601
<b>Impact resistance</b>	30G 3 times each in X, Y, Z directions
<b>Enclosure</b>	IP-67 (IEC Standard) <sup>Note 2)</sup>
<b>Extension cable (optional)</b>	CE1-R 5m, 10m, 15m, 20m (connector ... made by TAJIMI ELECTRONICS CO., LTD., R04-P8F7.3)

Note 1) This includes the digital display error of the counter (CEU5). Moreover, the overall accuracy after mounting on equipment will vary depending on mounting conditions and the environment. Therefore, the customer should calibrate the equipment as a whole.

Note 2) Except for the connector, the cylinder section is the equivalent of an SMC water resistant cylinder.

## Standard Stroke

Model	Cylinder stroke (mm)			
	25	50	75	100
<b>CEP1B12</b>	●	●	●	●
<b>CEP1B20</b>	●	●	●	●

# Series CEP1

## Weight Table (without Mounting Brackets / Connector)

Unit: kg

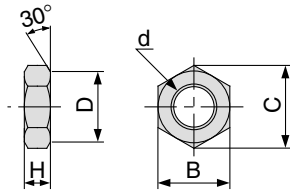
Bore Size (mm)	Cylinder stroke (mm)			
	25	50	75	100
12	0.29	0.33	0.37	0.41
20	0.62	0.68	0.74	0.80

## Proper Auto Switch Mounting Position

Refer to p.32 regarding dimensions for the proper auto switch mounting position (stroke end).

## Rod End Nut Dimensions

Material: Steel



(mm)

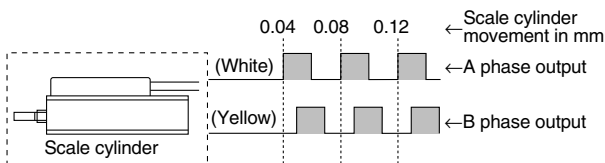
Applicable bore size (mm)	d	H	B	C	D
12	M5 x 0.8	3	8	9.2	7.8
20	M8 x 1.25	5	13	15.0	12.5

## Electrical Wiring

### Output type

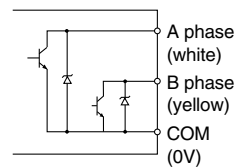
The output signal of the high precision scale cylinder is A/B phase difference output (open collector output) as shown in the figure below.

The relation between the movement distance and the signal output of the high precision scale cylinder is that for each 0.04mm of movement a one pulse signal is output to both output terminals A and B. In order to measure with a discrimination of 0.01mm, a counter with a 4 times multiplication function (CEU5) is required.



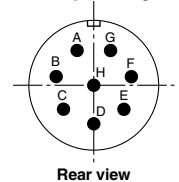
### Input/Output

The input/output of the scale cylinder is performed by a  $\phi 7$  shielded twisted pair wire from the sensor section plus a connector.



Output circuit of scale cylinder (brown, blue)

Connector pin arrangement



Rear view

### Signal table

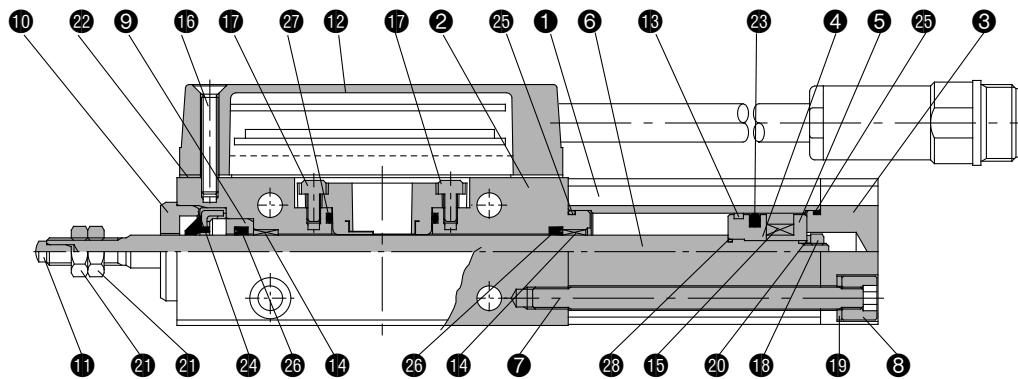
Wire color	Signal name	Connector pin symbol
White	A phase	A
Yellow	B phase	B
Brown, Blue	COM(0V)	C, D
Red	12V, 24V (power supply)	E
Black	0V (power supply)	F
(Shield)	Shield	G



# High Precision Scale Cylinder *Series CEP1*

## Construction

∅12, ∅20



### Parts list

No.	Description	Material	Note
1	<b>Cylinder tube</b>	Aluminum alloy	Hard anodized
2	<b>Rod cover</b>	Aluminum alloy	Hard chrome plated
3	<b>Head cover</b>	Aluminum alloy	Hard anodized
4	<b>Piston A</b>	Aluminum alloy	Hard anodized
5	<b>Piston B</b>	Aluminum alloy	Hard anodized
6	<b>Piston rod</b>	Carbon steel	Hard chrome plated
7	<b>Tie-rod</b>	Carbon steel	Chromed
8	<b>Tie-rod nut</b>	Carbon steel	Nickel plated
9	<b>Seal ring</b>	Aluminum alloy	White anodized
10	<b>Centering location ring</b>	Aluminum alloy	White anodized
11	<b>Rod end pin</b>	Stainless steel	Quenched
12	<b>Sensor unit</b>	—	With or without connector
13	<b>Wear ring</b>	Special resin	
14	<b>Bushing</b>	Lead-bronze casting	

### Parts list

No.	Description	Material	Note
15	<b>Magnet</b>	Rare earth	
16	<b>Cross recessed head machine screw</b>	Chrome molybdenum steel	Nickel plated
17	<b>Hexagon socket head cap screw</b>	Stainless steel	
18	<b>Hexagon nut</b>	Carbon steel	Nickel plated
19	<b>Spring washer</b>	Steel wire	Nickel plated
20	<b>Spring washer</b>	Steel wire	Nickel plated
21	<b>Rod end nut</b>	Steel	
22	<b>Sensor case gasket</b>	NBR	
23	<b>Piston seal</b>	NBR	
24	<b>Scraper</b>	NBR	
25	<b>Tube gasket</b>	NBR	
26	<b>Rod seal</b>	NBR	
27	<b>O-ring</b>	NBR	
28	<b>O-ring</b>	NBR	

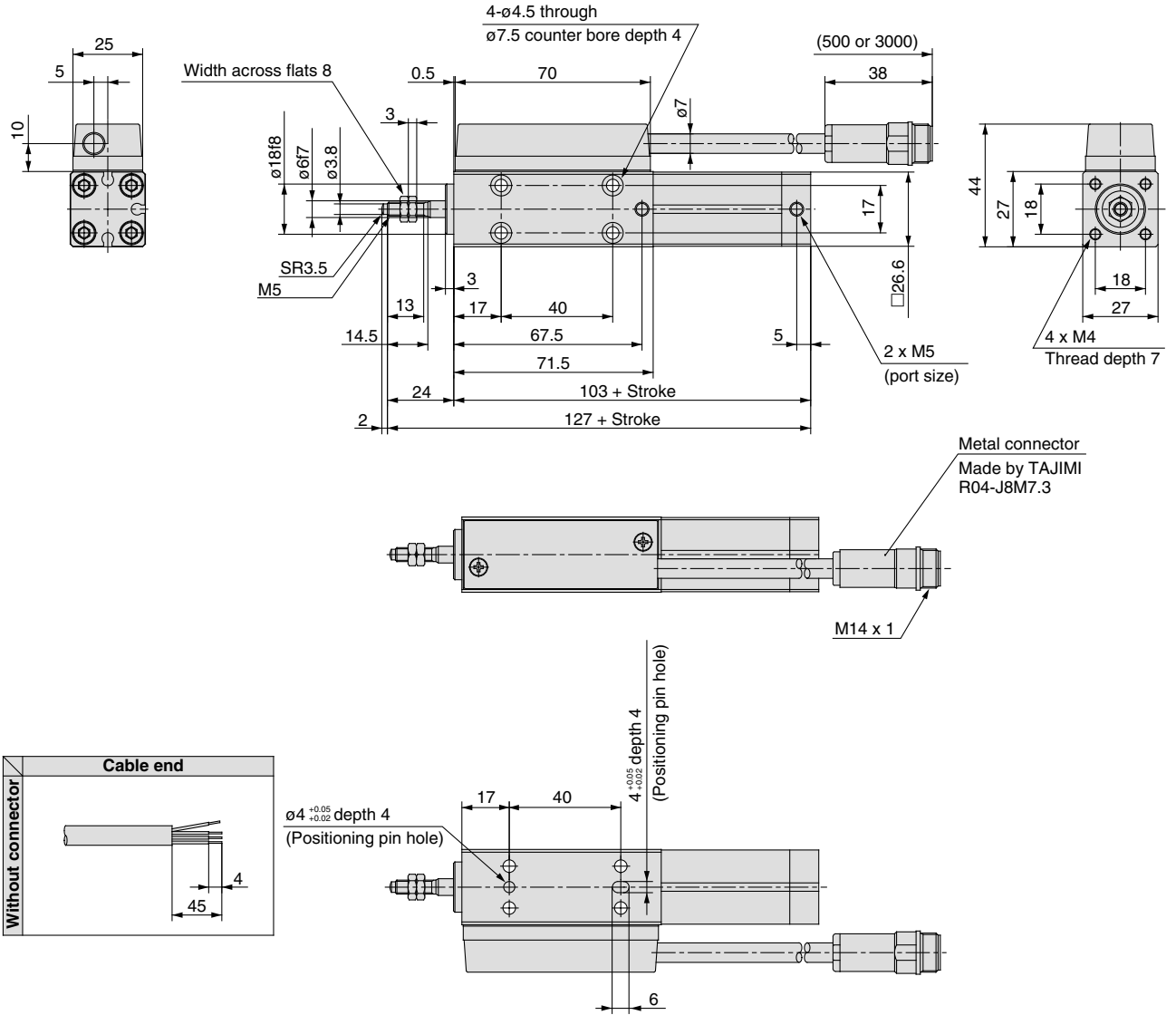
\* Since there is a possibility of improper operation, contact SMC regarding the replacement of seals.

# Series CEP1

## ∅12/Dimensions

Direct mounting front tapped type

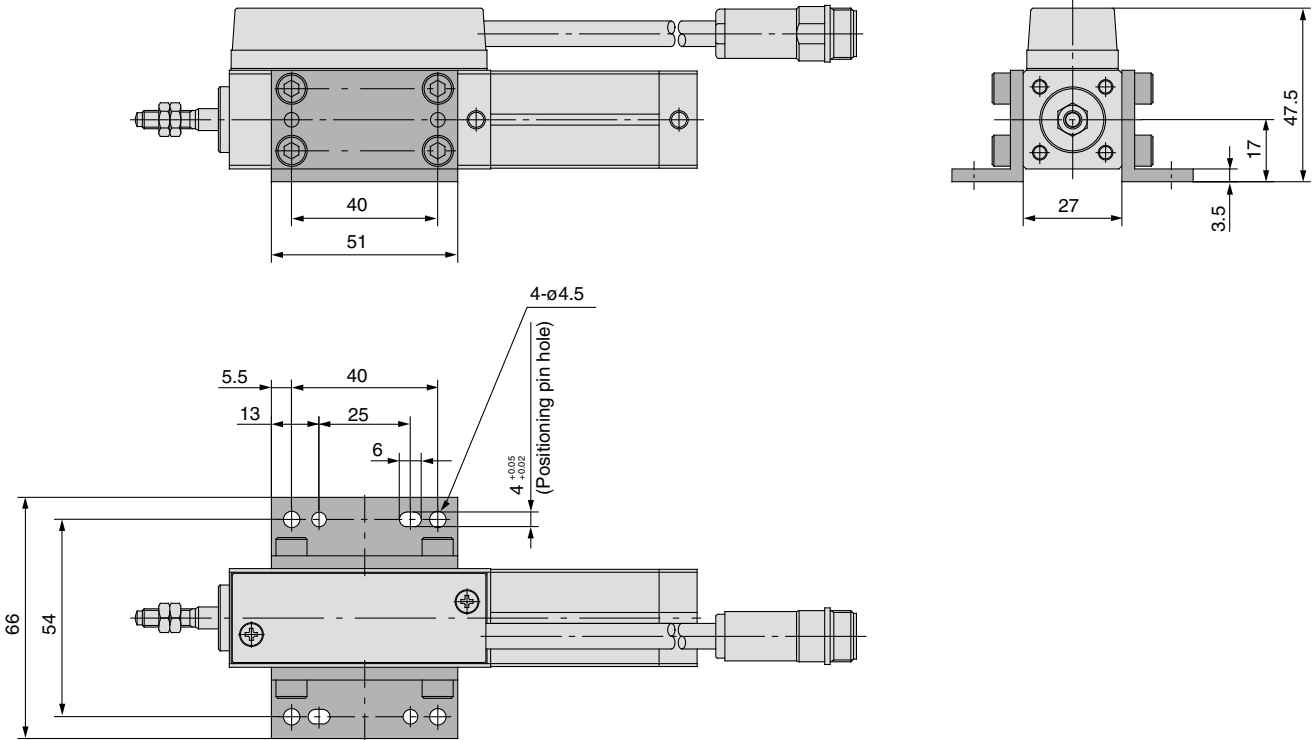
CEP1B12 — Stroke



# High Precision Scale Cylinder *Series CEP1*

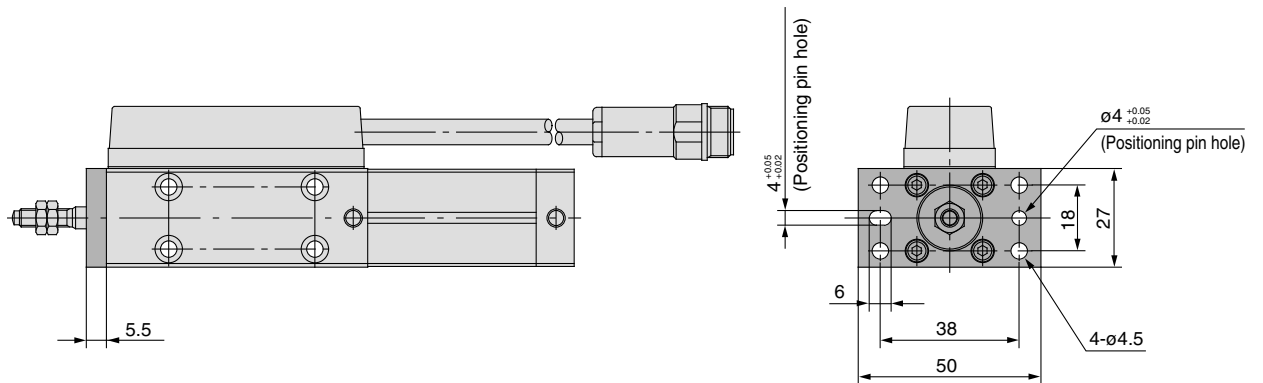
## Foot type

CEP1L12 — Stroke



## Front flange type

CEP1F12 — Stroke

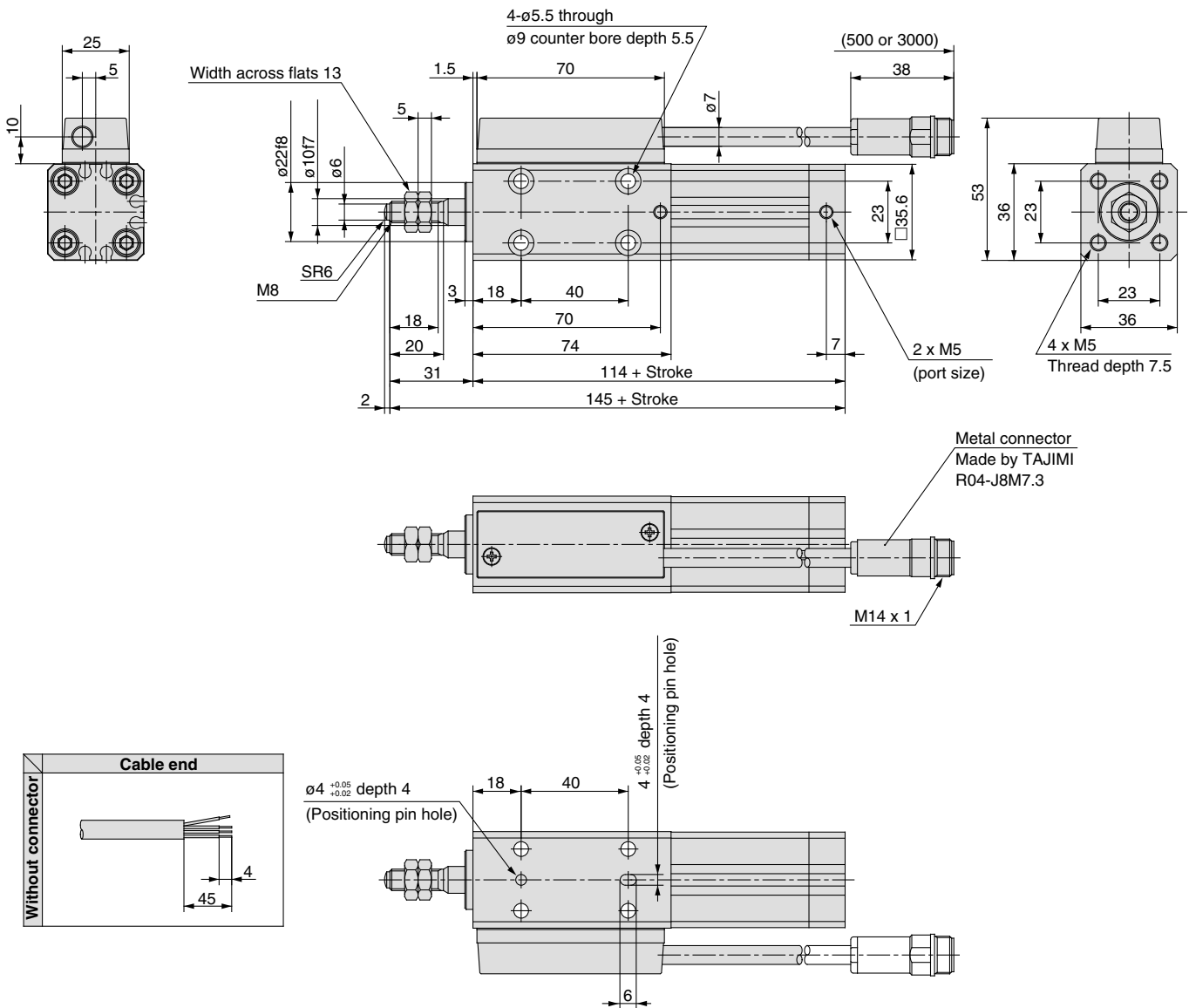


# Series CEP1

## ∅20/Dimensions

Direct mounting front tapped type

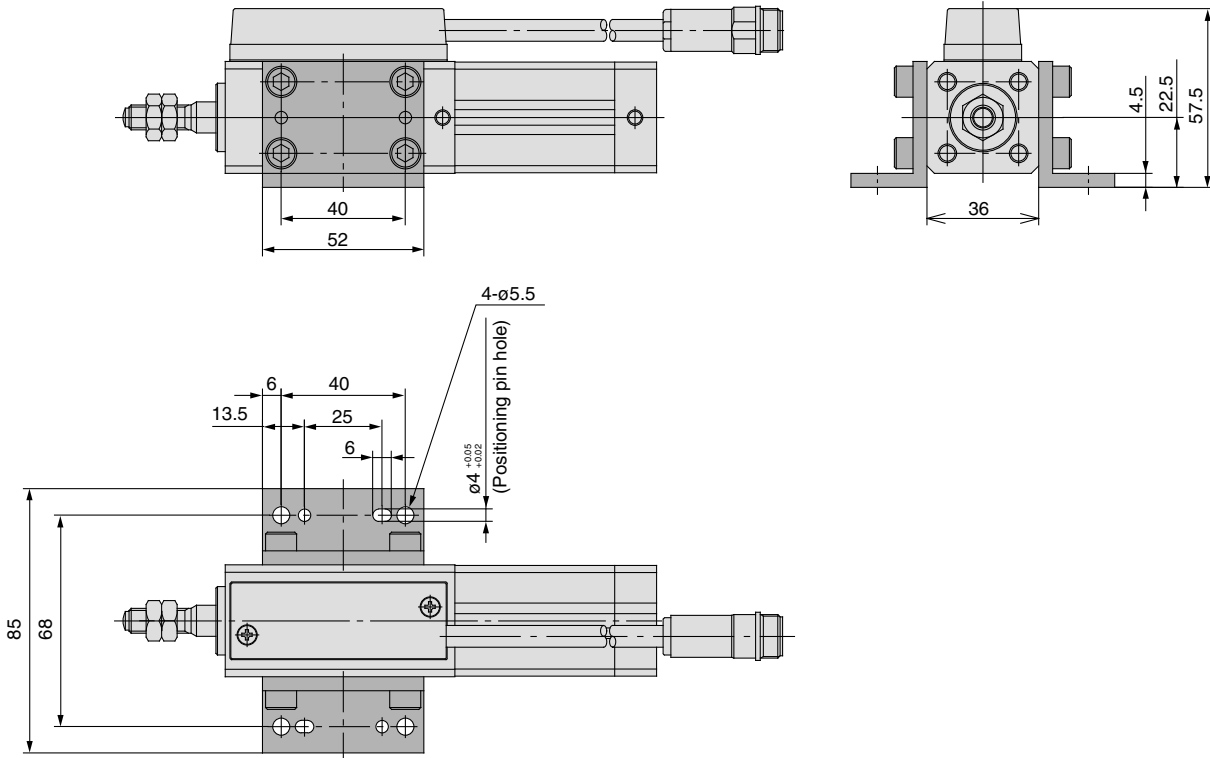
CEP1B20 — Stroke



# High Precision Scale Cylinder *Series CEP1*

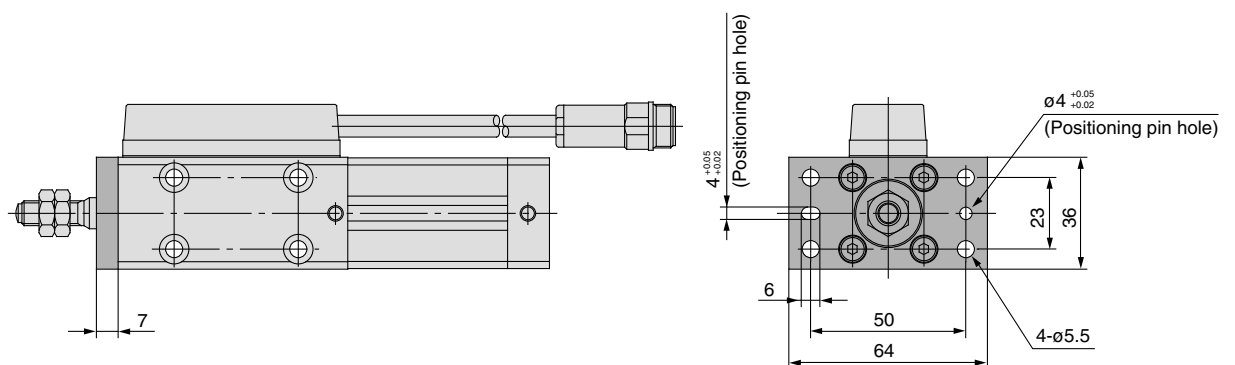
## Foot type

CEP1L20 — Stroke



## Front flange type

CEP1F20 — Stroke



# Scale Cylinder

# Series CE1

ø12, ø20, ø32, ø40, ø50, ø63



## How to Order

**CE1** **L** **32** **200** [ ] [ ] [ ] [ ] [ ]

**Mounting bracket**

<b>B</b>	Double end tapped (standard)
<b>L</b>	Foot type
<b>F</b>	Front flange type
<b>G</b>	Rear flange type
<b>D</b>	Double clevis type

**Bore size**

12	12mm
20	20mm
32	32mm
40	40mm
50	50mm
63	63mm

**Standard cylinder stroke (mm)**  
Refer to the standard stroke table on page 10.

**Auto switch type**

—	Without auto switch
---	---------------------

\* Refer to the table below for auto switch part numbers.

**Cable length**

—	0.5 m
<b>L</b>	3m

**Connector**

—	With connector
<b>Z</b>	Without connector

**Cushion**  
(applicable bore size ø40 to ø63)

—	Double-side cushion
<b>N</b>	Without cushion
<b>R</b>	Front cushion
<b>H</b>	Rear cushion

**Number of auto switches**

—	2pcs.
<b>S</b>	1pc.
<b>3</b>	3pcs.
<b>n</b>	"n" pcs.

**Applicable counter**  
**Series CEU5**

**<Options>**

**Extension cable CE1-R** **05** [ ]

**Cable length**

05	5m
10	10m
15	15m
20	20m

**Cable suffix**

—	Extension cable
<b>C</b>	Extension cable & connector

## Applicable Auto Switches/Refer to Auto Switch Guide for further information on auto switches.

Type	Special function	Electrical entry	Indicator light	Wiring (Output)	Load voltage		Auto switch model		Lead wire length (m)					Pre-wired connector	Applicable load							
					DC	AC	Perpendicular	In-line	0.5 (—)	1 (M)	3 (L)	5 (Z)	None (N)		IC circuit	Relay, PLC						
Solid state auto switch	—	Grommet	Yes	3-wire (NPN)	24 V	—	5 V, 12 V	<b>M9NV</b>	<b>M9N</b>	●	●	○	○	○	○	IC circuit	Relay, PLC					
				3-wire (PNP)				<b>M9PV</b>	<b>M9P</b>	●	●	○	○	○	○							
		Connector		2-wire				<b>M9BV</b>	<b>M9B</b>	●	●	○	○	○	○							
				<b>J79C</b>				—	●	—	●	●	●	—	—							
	Diagnostic indication (2-colour indication)	Grommet	Yes	3-wire (NPN)	24 V	—	5 V, 12 V	<b>M9NWV</b>	<b>M9NW</b>	●	●	○	○	○	○	IC circuit	Relay, PLC					
				3-wire (PNP)				<b>M9PWV</b>	<b>M9PW</b>	●	●	○	○	○	○							
				2-wire				<b>M9B WV</b>	<b>M9B W</b>	●	●	○	○	○	○							
				3-wire (NPN)				<b>M9NAV</b> *1	<b>M9NA</b> *1	○	○	●	○	○	○							
				3-wire (PNP)				<b>M9PAV</b> *1	<b>M9PA</b> *1	○	○	●	○	○	○							
				2-wire				<b>M9BAV</b> *1	<b>M9BA</b> *1	○	○	●	○	○	○							
Reed auto switch	—	Grommet	Yes	3-wire (NPN equivalent)	24 V	—	5 V	<b>A96V</b>	<b>A96</b>	●	—	●	—	—	IC circuit	Relay, PLC						
				Connector				2-wire	<b>A72</b>	<b>A72H</b>	●	—	●	—			—					
								2-wire	<b>A93V</b> *2	<b>A93</b>	●	●	●	●			—	—				
		Grommet		Yes				2-wire	5 V, 12 V	100 V or less	<b>A90V</b>	<b>A90</b>	●	—			●	—	—	—	IC circuit	Relay, PLC
								2-wire	12 V	—	<b>A73C</b>	—	●	—			●	●	●			
								2-wire	5 V, 12 V	24 V or less	<b>A80C</b>	—	●	—			●	●	●			
								2-wire	—	—	<b>A79W</b>	—	●	—			●	—	—			

\* 1 Water resistant type auto switches can be mounted on the above models, but in such case SMC cannot guarantee water resistance.

Consult with SMC regarding water resistant types with the above model numbers.

\* 2 1 m type lead wire is only applicable to D-A93.

\* Lead wire length symbols: 0.5 m ..... — (Example) M9NW  
 1 m ..... M (Example) M9NWM  
 3 m ..... L (Example) M9NWL  
 5 m ..... Z (Example) M9NWZ  
 None ..... N (Example) J79CN

\* Solid state auto switches marked with "○" are produced upon receipt of order.

\* Refer to page 30 for details on other applicable auto switches than listed above.

\* For details about auto switches with pre-wired connector, refer to Auto Switch Guide.

\* When D-A9□(V)/M9□(V)/M9□W(V)/M9□A(V)L types with ø32 to ø63 are mounted on a side other than the port side, order auto switch mounting brackets separately. Refer to page 30 for details.

\* Auto switches are shipped together (not assembled).

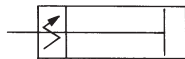
# Scale Cylinder Series CE1

## Cylinder Specifications



Fluid	Air		
Proof pressure	1.5MPa		
Maximum operating pressure	1.0MPa		
Minimum operating pressure	ø12	ø20 to ø63	
	0.07MPa	0.05MPa	
Piston speed	70 to 500mm/s		
Ambient & fluid temperature	0°C to 60°C (without freezing)		
Humidity	25 to 85% RH (without condensation)		
Lubrication	Non-lube		
Stroke length tolerance range	ø12, ø20: $^{+1.0}_0$	ø32, ø40, ø50, ø63: $^{+1.6}_0$	
	ø12, ø20, ø32 ..... without		ø40, ø50, ø63 ..... with
Thread tolerance	JIS Class 2		
Rod non-rotating accuracy	ø12	ø20	ø32, ø40, ø50, ø63
	±2°	±1°	±0.8°
Mounting	Double end tapped (standard), Foot type, Flange type, Double clevis type		
Auto switch	Reed type, Solid state type		

Symbol



## Bracket Part Nos.

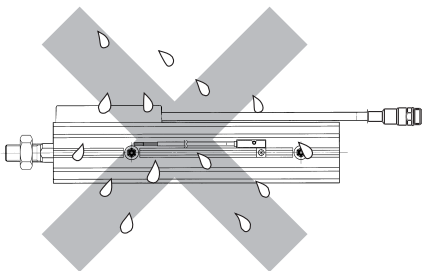
Bore size (mm)	*Foot	Flange	Double clevis
12	CQ-L012	CQ-F012	CQ-D012
20	CQ-L020	CQ-F020	CQ-D020
32	CQ-L032	CQ-F032	CQ-D032
40	CQ-L040	CQ-F040	CQ-D040
50	CQ-L050	CQ-F050	CQ-D050
63	CQ-L063	CQ-F063	CQ-D063

Note 1) When ordering foot type brackets, 2pcs. should be arranged for each cylinder.

Note 2) The following parts are included with each mounting bracket.

Foot, Flange/Body mounting bolts  
Double clevis/Clevis pin, C type snap ring for shaft,  
Body mounting bolts

This cannot be used in an environment where the product is exposed to fluids (water, oil, coolant, etc.).



The reading cylinder with a scraper is available as a special order. Contact SMC for details. (ø32 to ø63)

For ø12 and ø20 models, use Series CEP1 with the scraper provided as standard accessory.

## Sensor Specifications

Cable	ø7, 6-core twisted pair shielded wire (oil, heat & flame resistant cable) (Standard with connector ... made by TAJIMI ELECTRONICS CO., LTD., R04-J8M7.3)		
Transmission distance	23m (when using SMC cable and counter)		
Position detection system	Magnetic scale rod	Sensor head <cable length 50cm, 3m> <non-rotating>	
	<incremental type>		
Magnetic resistance	145 gauss		
Power supply	12 to 24VDC (±10%) (power supply ripple: 1% or less)		
Current consumption	40mA		
Resolution	0.1mm/pulse		
Accuracy	±0.2mm <sup>Note 1)</sup>		
Output type	Open collector (24VDC, 40mA)		
Output signal	A/B phase difference output		
Insulation resistance	500VDC, 50MΩ or more (between case and 12E)		
Vibration resistance	33.3Hz, 6.8G 2 hrs. each in X, Y directions 4 hrs. in Z direction based upon JIS D1601		
Impact resistance	30G 3 times each in X, Y, Z directions		
Enclosure	IP65 (IEC Standard) <sup>Note 2)</sup>		
Extension cable (optional)	5m, 10m, 15m, 20m (Connector ... made by TAJIMI ELECTRONICS CO., LTD., R04-P8F7.3)		

Note 1) This includes the digital display error of the counter (CEU5).

Moreover, the overall accuracy after mounting on equipment will vary depending on the mounting conditions and the environment. Therefore, the customer should calibrate the equipment as a whole.

Note 2) The cylinder section does not have a water resistant enclosure.

## Cylinder Stroke

Bore size (mm)	Standard Stroke (mm)											Manufacturable stroke range*	
	25	50	75	100	125	150	175	200	250	300	400		500
12	●	●	●	●	●	●	—	—	—	—	—	—	25 to 150
20	●	●	●	●	●	●	●	●	—	—	—	—	25 to 300
32	—	●	●	●	●	●	●	●	●	●	—	—	25 to 400
40	—	—	—	●	●	●	●	●	●	●	●	●	25 to 600
50	—	—	—	—	—	—	—	●	—	●	—	●	25 to 600
63	—	—	—	—	—	—	—	●	—	●	—	●	25 to 600

\* Strokes other than standard strokes are available upon request for special. Consult with SMC separately.

Especially, be careful of an eccentric load applied to the rod when the stroke is over 100 mm with a bore size of 12 mm.

# Series CE1

## Weight Table (without Mounting Bracket/Connector)

Unit: kg (without brackets)

Bore size (mm)	Cylinder stroke (mm)											
	25	50	75	100	125	150	175	200	250	300	400	500
12	0.28	0.32	0.35	0.39	0.42	0.46	-	-	-	-	-	-
20	0.48	0.55	0.62	0.69	0.76	0.83	0.9	0.97	-	-	-	-
32	-	0.84	0.95	1.05	1.16	1.26	1.37	1.48	1.69	1.9	-	-
40	-	-	-	1.58	1.71	1.83	1.96	2.08	2.33	2.58	3.08	3.58
50	-	-	-	-	-	-	-	3.26	-	3.96	-	5.36
63	-	-	-	-	-	-	-	4.04	-	4.84	-	6.44

- Note 1) For the type with a sensor cable length of 0.5m and without connector (CE1□□-□Z), 40g is subtracted from the weight shown above.  
 For the type with a sensor cable length of 3m and connector (CE1□□-□L), add 160g to the weight shown above.  
 For the type with a sensor cable length of 3m and without connector (CE1□□-□ZL), add 120g to the weight shown above.
- Note 2) The mounting bracket weight is shared with the compact cylinder (Series CQ2). So, refer to the Series CQ2 catalogue.

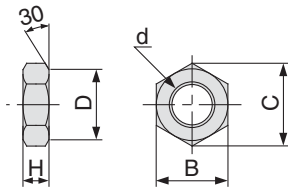
## Proper Auto Switch Mounting Position

Refer to p.29 regarding dimensions for the proper auto switch mounting position (stroke end).

## Rod End Nut Dimensions

(1pc. is included as standard.)

Materials:  $\phi$ 12,  $\phi$ 20 Steel  
 $\phi$ 32 to  $\phi$ 63 Rolled steel



Part No.	Applicable bore size (mm)	d	H	B	C	D
NTJ-015A	12	M5	4	8	9.2	7.8
NT-02	20	M8	5	13	15.0	12.5
NT-04	32, 40	M14 x 1.5	8	22	25.4	21.0
NT-05	50, 63	M18 x 1.5	11	27	31.2	26

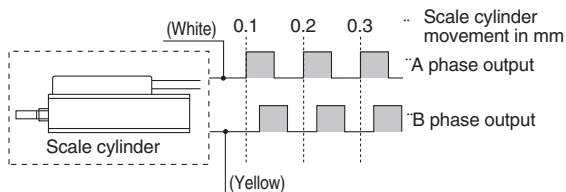
## Electrical Wiring

### Output type

The output signal of the scale cylinder is A/B phase difference output (open collector output) as shown in the figure below.

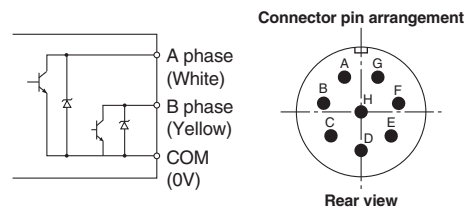
The relation between the movement distance and the signal output of the scale cylinder is that for each 0.1mm of movement a one pulse signal is output to both output terminals A and B.

Furthermore, the maximum response speed of the sensor for the scale cylinder is at a maximum cylinder speed of 1500mm/s (15kcps).



### Input/Output

The input/output of the scale cylinder is performed by a  $\phi$ 7 shielded twisted pair wire from the sensor section plus a connector.



Output circuit of scale cylinder (Brown, Blue)

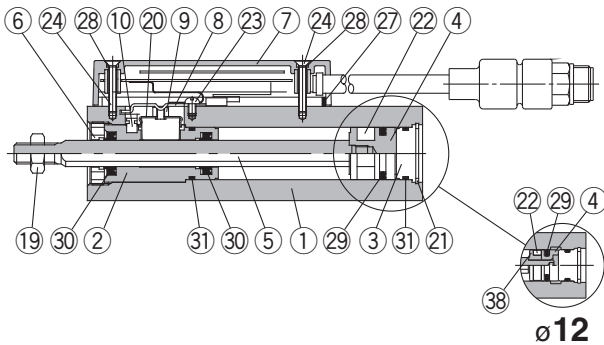
### Signal table

Wire color	Signal name	Connector pin symbol
White	A phase	A
Yellow	B phase	B
Brown, Blue	COM(0V)	C, D
Red	12V, 24V (power supply)	E
Black	0V (power supply)	F
(Shield)	Shield	G

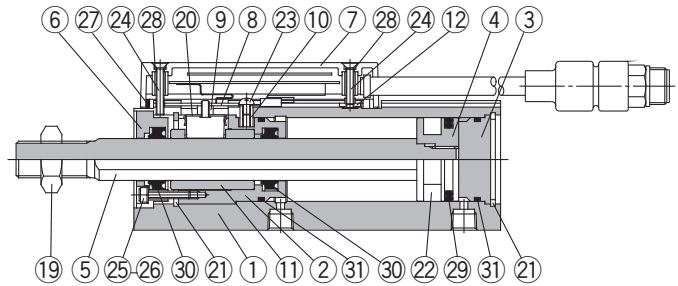


## Construction

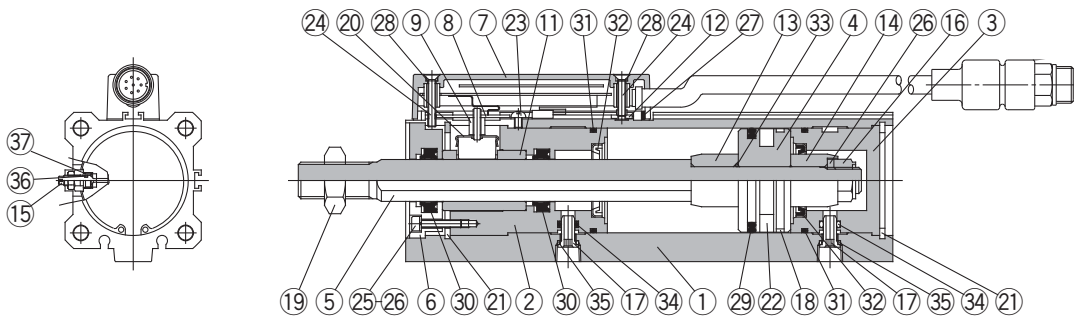
ø12, ø20



ø32



ø40 to ø63



### Parts list

No.	Description	Material	Note
1	<b>Cylinder body</b>	Aluminum alloy	
2	<b>Rod cover</b>	Brass	ø12, ø20
		Aluminum alloy	ø32 to ø63
3	<b>Head cover</b>	Aluminum alloy	
4	<b>Piston</b>	Magnetic material	ø12
		Aluminum alloy	ø20 to ø63 (built-in magnet)
5	<b>Piston rod</b>	Stainless steel	
6	<b>Rod cover disk</b>	Aluminum alloy	
7	<b>Sensor unit</b>	—	
8	<b>Sensor setting bracket</b>	Stainless steel	
9	<b>Sensor setting piece assembly</b>	—	ø20 to ø63
10	<b>Pin</b>	Stainless steel	ø12 to ø32
11	<b>Sensor guide</b>	Lead-bronze casting	ø32 to ø63
12	<b>Case setting nut</b>	Carbon steel	ø32 to ø63
13	<b>Cushion ring A</b>	Rolled steel	ø40 to ø63
14	<b>Cushion ring B</b>	Rolled steel	ø40 to ø63
15	<b>Cushion valve</b>	—	ø40 to ø63
16	<b>Piston nut</b>	Rolled steel	ø40 to ø63
17	<b>Port joint</b>	Stainless steel	ø40 to ø63

### Parts list

No.	Description	Material	Note
18	<b>Wear ring</b>	Resin	ø40 to ø63
19	<b>Rod end nut</b>	Steel	ø12, ø20
		Rolled steel	ø32 to ø63
20	<b>Sensor setting plate</b>	Cold rolled special steel strip	
21	<b>C type snap ring</b>	Carbon steel	
22	<b>Plastic magnet</b>	—	
23	<b>Cross recessed round head screw</b>	Carbon steel wire	
24	<b>Cross recessed countersunk head screw</b>	Carbon steel wire	
25	<b>Hexagon socket head cap screw</b>	Chrome molybdenum steel	
26	<b>Spring washer</b>	Steel wire	
27	<b>Case gasket</b>	NBR	
28	<b>Case screw gasket</b>	NBR	
29	<b>Piston seal</b>	NBR	
30	<b>Rod seal</b>	NBR	
31	<b>Gasket</b>	NBR	
32	<b>Cushion seal</b>	NBR	
33	<b>Piston gasket</b>	NBR	
34	<b>Port seal</b>	NBR	
35	<b>Joint seal</b>	NBR	
36	<b>Valve seal</b>	NBR	
37	<b>Valve retainer seal</b>	NBR	
38	<b>Spacer for switch type</b>	Aluminium alloy	ø12

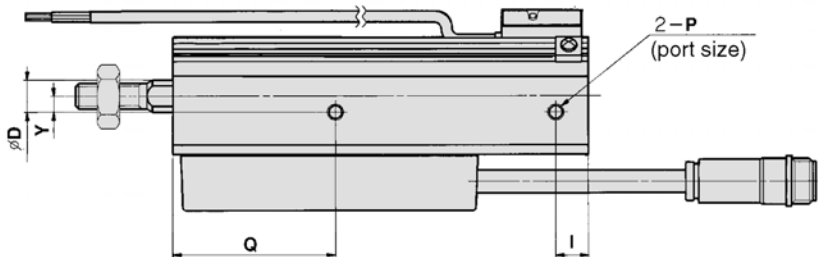
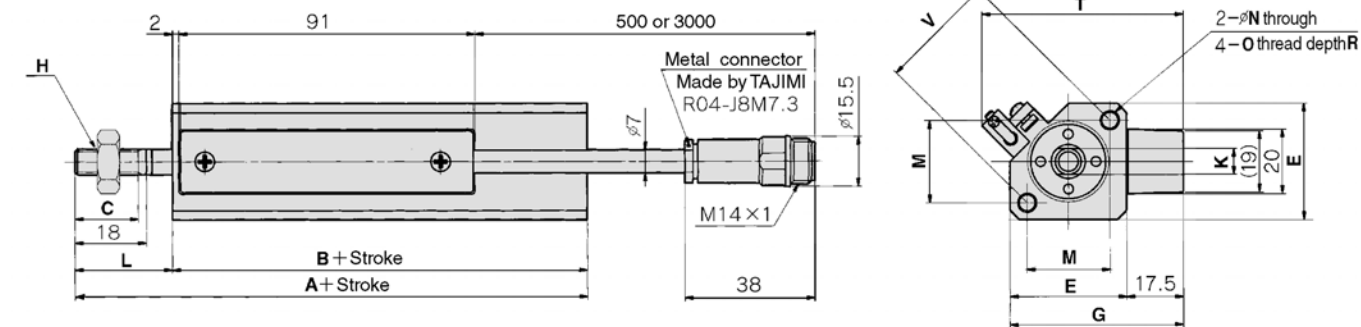
\* Since there is a possibility of improper operation, contact SMC regarding the replacement of seals.

# Series CE1

## Ø12, Ø20/Dimensions

Double end tapped

CE1B Bore size Stroke



Bore size (mm)	Standard stroke	A	B	C	D	E	G	H	I	K	L	M
12	25, 50, 75, 100, 125, 150	93.5	69	15	6	25	42.5	M5	16	5.2	24.5	15.5
20	25, 50, 75, 100, 125, 150, 175, 200	106	78	15.5	10	36	53.5	M8	10	8	28	25.5

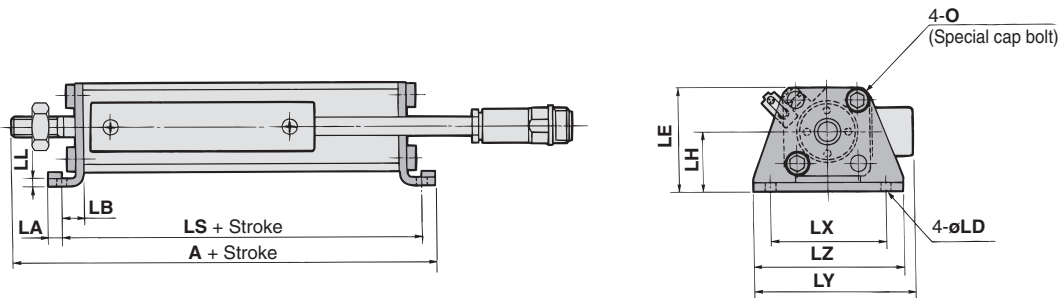
Bore size (mm)	N	O	P	Q	R	*T	V	Y
12	-	M4	M5	47	7	53.5	22	7
20	5.5	M6	M5	50	15	62.5	36	5

\* Refer to page 11 regarding the rod end nut which is included. \* Dimensions for auto switch model D-F79W.

# Scale Cylinder *Series CE1*

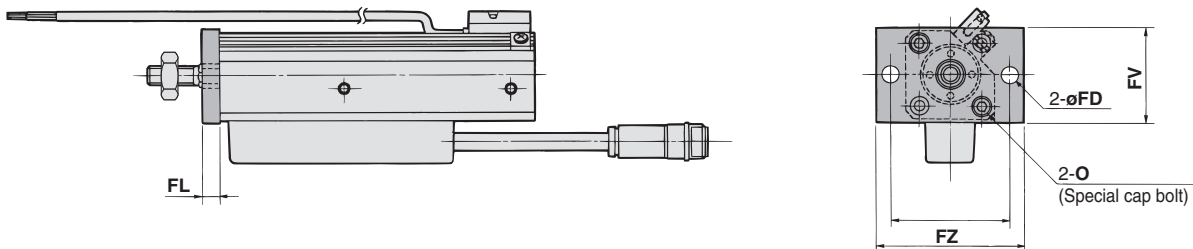
## Foot type

CE1L Bore size Stroke



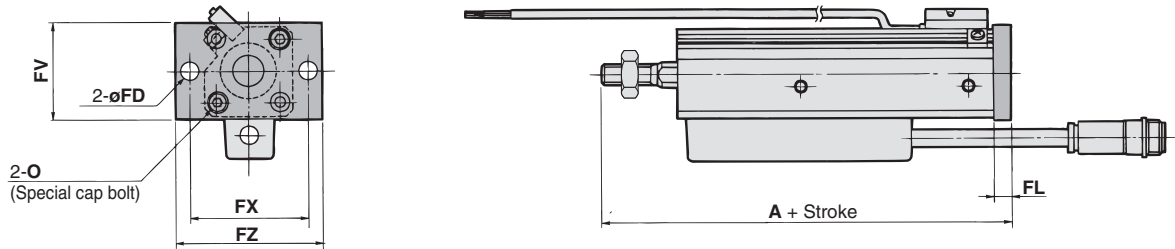
## Front flange type

CE1F Bore size Stroke



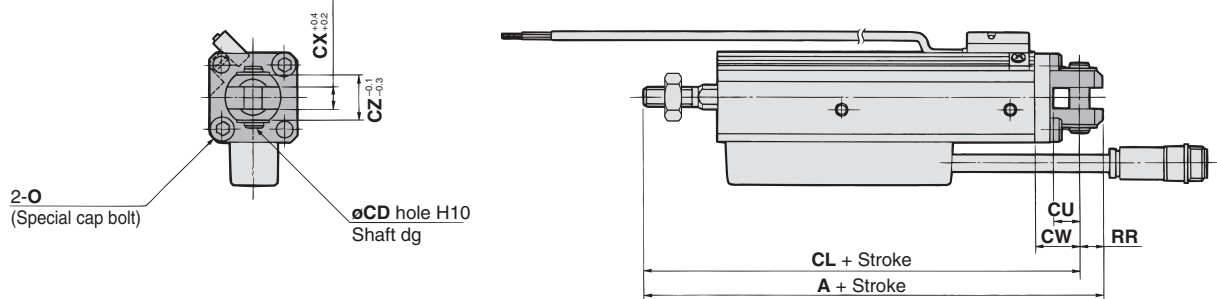
## Rear flange type

CE1G Bore size Stroke



## Double clevis type

CE1D Bore size Stroke



Bore size (mm)	Foot type												Front flange type, Rear flange type					Rear flange type	Double clevis type							
	A	LA	LB	LD	LE	LH	LL	LS	LX	LY	LZ	FD	FL	FV	FX	FZ	A	A	CD	CL	CU	CW	CX	CZ	RR	
12	106	4.5	8	4.5	29.5	17	2	85	34	52	44	4.5	5.5	25	45	55	99	113.5	5	107.5	7	14	5	10	6	
20	121	5.8	9.2	6.6	42	24	3.2	96.4	48	66.5	62	6.6	8	39	48	60	114	133	8	124	12	18	8	16	9	

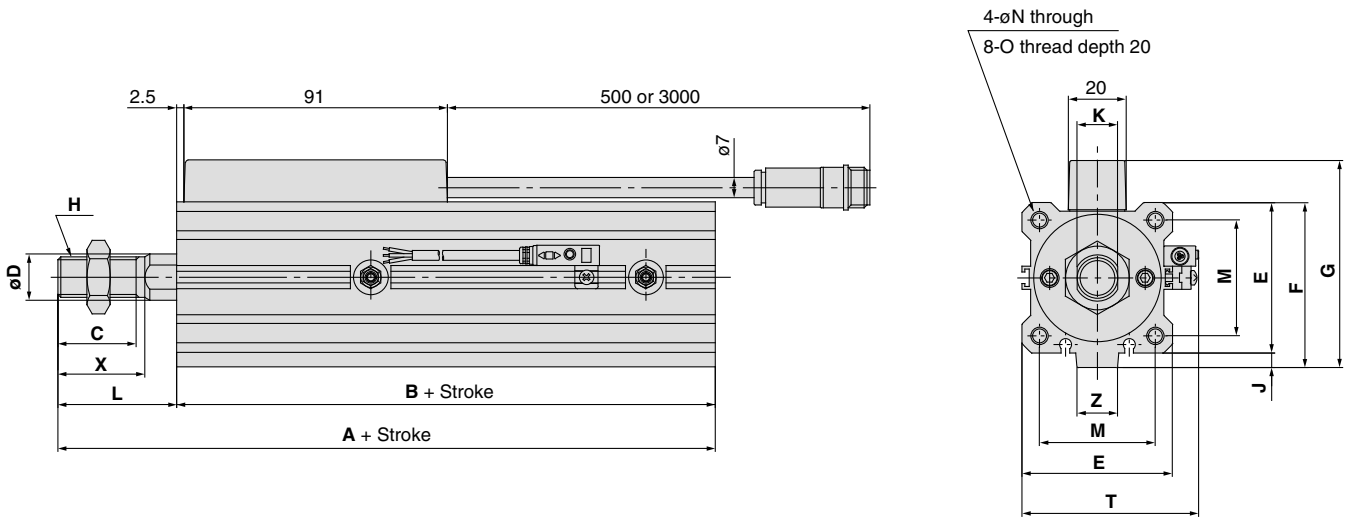
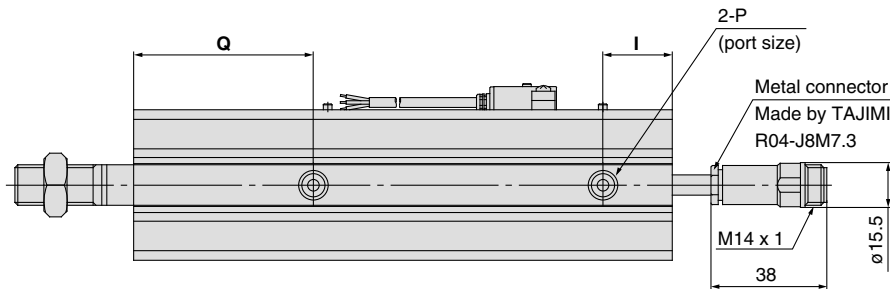
(mm)

# Series CE1

## ø32, ø40, ø50, ø63/Dimensions

Double end tapped

CE1B Bore size Stroke



Bore size (mm)	Standard stroke	A	B	C	D	E	F	G	H	I	J	K
32	50, 75, 100, 125, 150, 175, 200, 250, 300	131	90	27	16	45	49.5	64	M14 x 1.5	14	4.5	14
40	100, 125, 150, 175, 200, 250, 300, 400, 500	177	136	27	16	52	57	71.5	M14 x 1.5	24	5	14
50	200, 300, 500	193	144	32	20	64	71	85.5	M18 x 1.5	22.5	7	18
63	200, 300, 500	194	145	32	20	77	84	98.5	M18 x 1.5	21	7	18

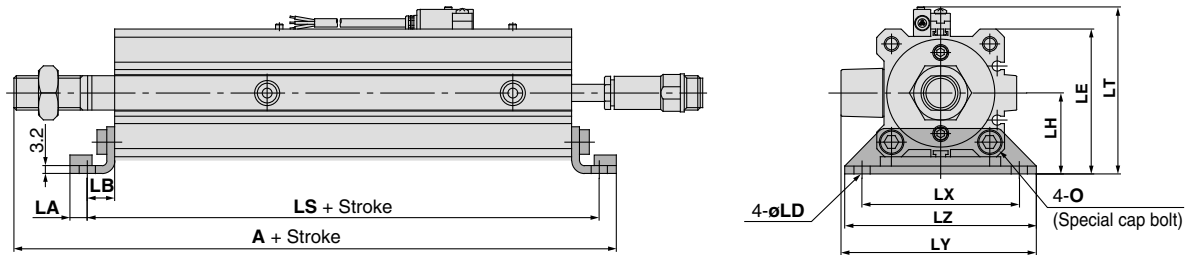
Bore size (mm)	L	M	N	O	P	Q	*T	X	Z
32	41	34	5.5	M6	Rc(PT) 1/8	56	57.5	30	14
40	41	40	5.5	M6	Rc(PT) 1/8	62	64.5	30	14
50	49	50	6.6	M8	Rc(PT) 1/4	61.5	76.5	35	19
63	49	60	9	M10	Rc(PT) 1/4	64	89.5	35	19

\* Refer to page 11 regarding the rod end nut which is included. \* Dimensions for auto switch model D-F79W.

# Scale Cylinder *Series CE1*

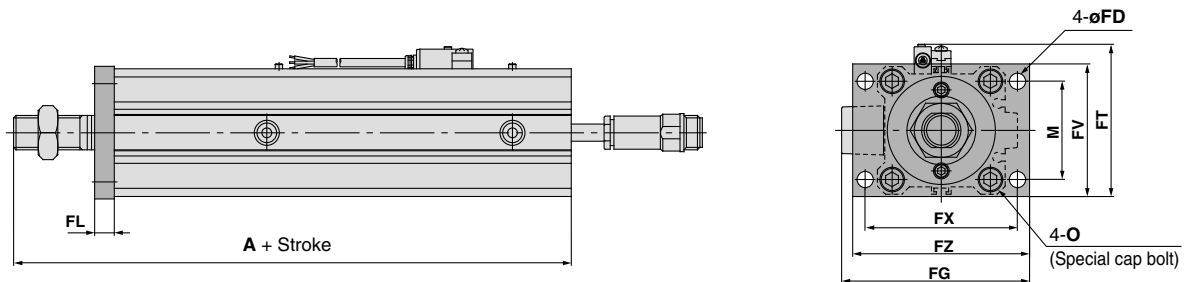
## Foot type

CE1L Bore size — Stroke



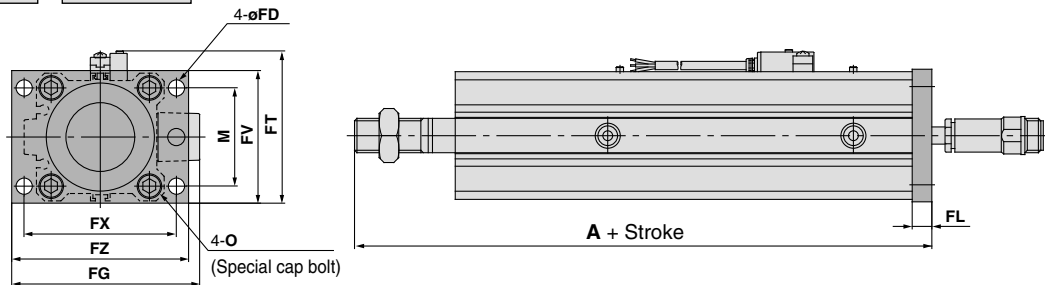
## Front flange type

CE1F Bore size — Stroke



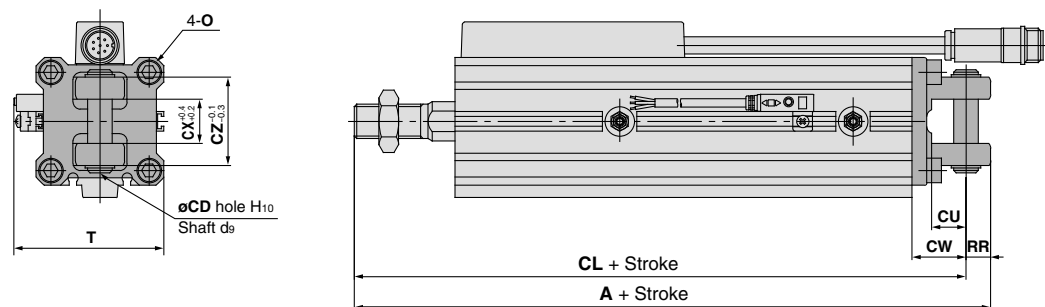
## Rear flange type

CE1G Bore size — Stroke



## Double clevis type

CE1D Bore size — Stroke



Bore size (mm)	Foot type											Front flange type, Rear flange type								Rear flange type	Double clevis type									
	A	LA	LB	LD	LE	LH	LS	*LT	LX	LY	LZ	FD	FG	FL	*FT	FV	FX	FZ	M	A	A	CD	CL	CU	CW	CX	CZ	RR	T	
32	148	5.8	11.2	6.6	52.5	30	112.4	65	57	72.5	71	5.5	69.5	8	59	48	56	65	34	139	161	10	151	14	20	18	36	10	57.5	
40	195.2	7	11.2	6.6	59	33	158.4	71.5	64	79.5	78	5.5	76.5	8	65.5	54	62	72	40	185	209	10	199	14	22	18	36	10	64.5	
50	215.7	8	14.7	9	71	39	173.4	83.5	79	94	95	6.6	91	9	78	67	76	89	50	202	235	14	221	20	28	22	44	14	76.5	
63	219.2	9	16.2	11	84.5	46	177.4	97	95	109.5	113	9	107	9	91	80	92	108	60	203	238	14	224	20	30	22	44	14	89.5	

\* Dimensions for auto switch model D-F79W.

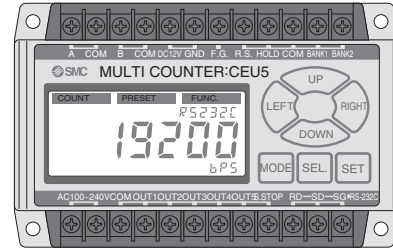
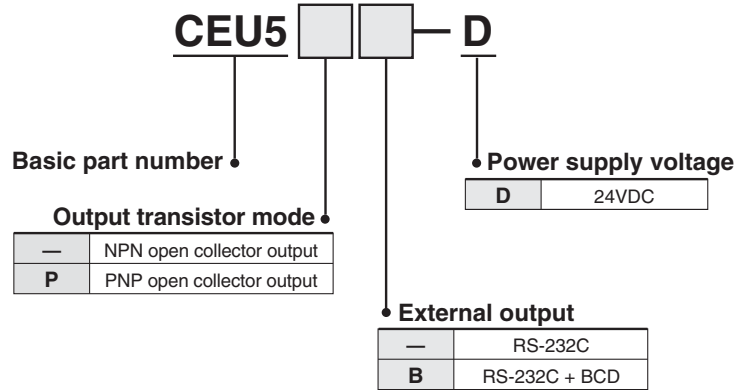
# Series CEU Series CE Counter / Extension Cable



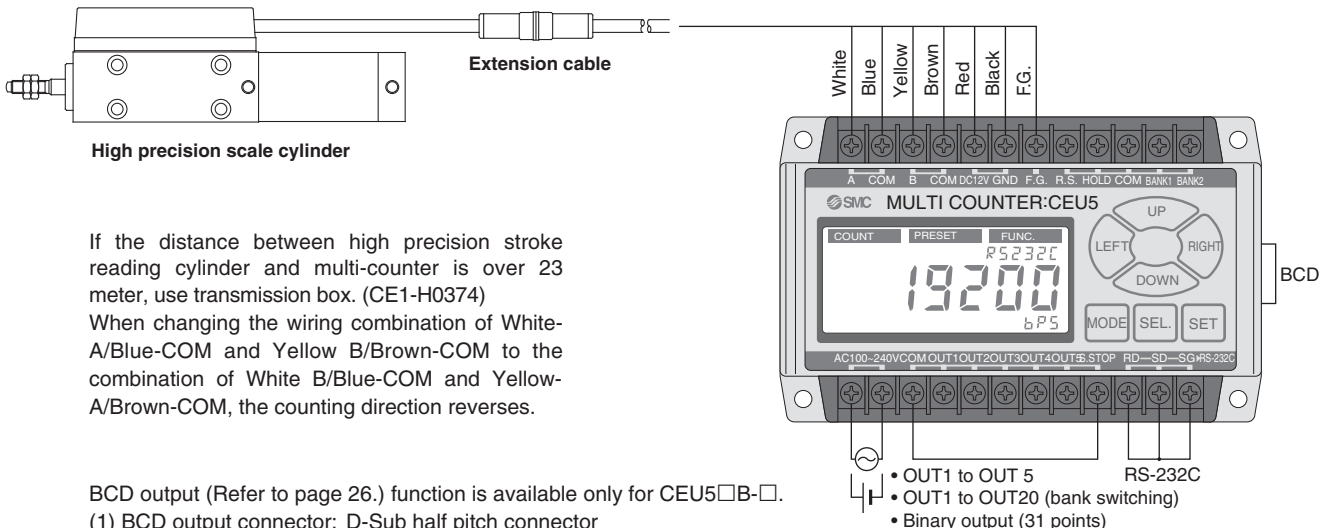
RoHS

## Multi Counter

### How to Order



## Connection Method



If the distance between high precision stroke reading cylinder and multi-counter is over 23 meter, use transmission box. (CE1-H0374)

When changing the wiring combination of White-A/Blue-COM and Yellow B/Brown-COM to the combination of White B/Blue-COM and Yellow-A/Brown-COM, the counting direction reverses.

BCD output (Refer to page 26.) function is available only for CEU5□B-□.

- (1) BCD output connector: D-Sub half pitch connector  
(Built in CEU5□B-D) D x 10M-36S (Made by Hirose Electric Co., Ltd.)
- (2) Applicable connectors: D x 30AM-36P (Plug: Made by Hirose Electric Co., Ltd.) \*  
D x 30M-36-CV (Cover: Made by Hirose Electric Co., Ltd.) \*  
Other interchangeable commercial cables with connectors can be also used.

\* Pressure welding tools are required to connect the connector (plug, cover) models listed above and cables (order separately). The following products, including pre-assembled connectors and cables, are also available. Contact the manufacturer (Misumi Corporation) directly.

SHPT-H-A-36-\*: Male connector on one end, cable cut off on one end

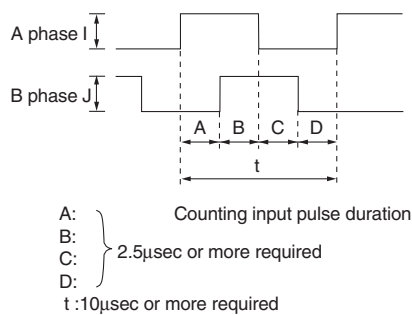
SHPT-HH-A-36-\*: Male connectors on both ends

\* 0.2 to 50 (This shows the cable length. Unit: m)

## Multi Counter/Specifications

Model	CEU5-D	CEU5P-D	CEU5B-D	CEU5PB-D
Type	Multi counter			
Mounting	Surface mounting (DIN rail or screw stop)			
Operating system	Adding - subtracting type			
Operation modes	Operating mode, Data setting mode, Function setting mode			
Reset system	External reset terminal			
Display system	LCD (with back light)			
Number of digits	6 digits			
Memory holding {storage medium}	Setting value (always held), Count value (hold/non-hold switching), {E <sup>2</sup> ROM (warning display after writing approx. 800,000 times: E2FUL)}			
Input signal type	Count input, Control signal input (reset, hold, bank selection)			
Count input	No-voltage pulse input			
Pulse signal system	90 phase difference input <sup>Note 1)</sup> / UP/DOWN separate input <sup>Note 2)</sup>			
Counting speed	100kHz <sup>Note 1)</sup>			
Control signal input	Voltage input (12VDC or 24VDC)			
Sensor power supply	12VDC 10%, 60mA			
Output signal type	Preset output, Cylinder stop output		Preset output, Cylinder stop output, BCD output	
Preset output configuration	Compare/Hold/One-shot (100ms point to point)			
Output system	Separate 5 point output/Binary code output			
Output delay time	5ms or less (for normal output)			
Communication system	RS-232C			
Output transistor mode	NPN open collector MAX. 30VDC, 50mA	PNP open collector MAX. 30VDC, 50mA	NPN open collector MAX. 30VDC, 50mA <sup>Note 3)</sup>	PNP open collector MAX. 30VDC, 50mA <sup>Note 2)</sup>
Power supply voltage	24VDC (10%)	24VDC (10%)	24VDC (10%)	24VDC (10%)
Power consumption	10W or less	10W or less	10W or less	10W or less
Withstand voltage	Between case and AC line: 1500VAC for 1 min. Between case and signal ground: 500VAC for 1 min.			
Insulation resistance	Between case and AC line: 500VDC, 50MΩ or more			
Ambient temperature	0 to 50°C (without freezing)			
Ambient humidity	35 to 85%RH (without condensation)			
Noise resistance	Square wave noise from a noise simulator (pulse duration 1μs) between power supply terminals 2000V, I/O line 600V			
Vibration resistance	Endurance 10 to 55Hz; amplitude 0.75mm; X, Y, Z for 2 hours each			
Impact resistance	Endurance 10G; X, Y, Z directions, 3 times each			
Weight	350g or less			

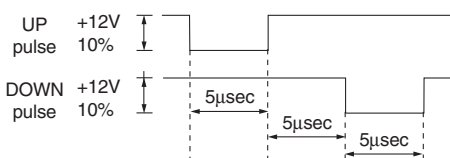
Note 1) 90 phase difference input



$$\text{Counting speed } f = \frac{1}{t} = \frac{1}{10 \times 10^{-6}} = 100000\text{Hz}$$

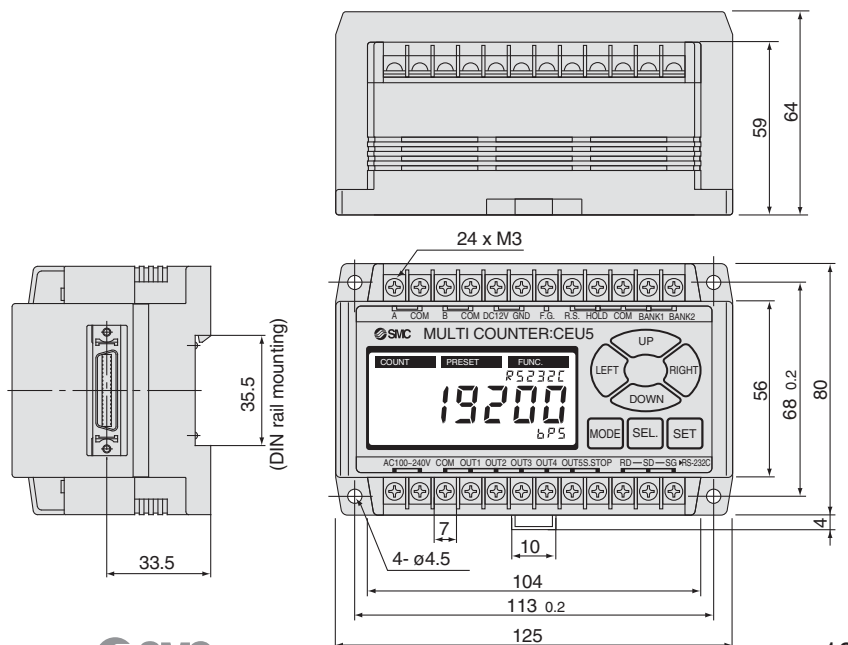
(Approx: 100kHz)

Note 2) UP / DOWN input Input wave form conditions: At a maximum of 100kHz, the UP/DOWN wave form should be as shown below.



Note 3) 15mA when BCD is output.

## Multi Counter/Dimensions



# Series CEU

## Wiring with External Equipment

### <Wiring with multi-counter CEU5>

#### 1. Wiring of power source for driving counter

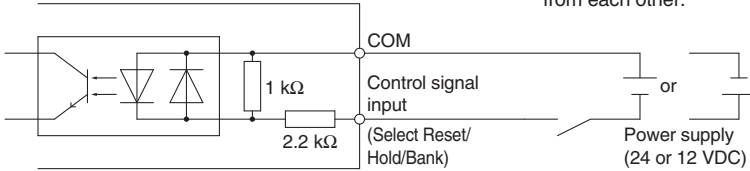
For power source for driving counter, use the one with 90 to 264 VAC, 50/60 Hz or 21.6 to 26.4 VDC, 0.4 A or more.

#### 2. Wiring for control signal input

(Selection among Reset, Hold, Bank (Refer to page 26.))  
The transistor used for each control signal must be capable to allow at least a current of 15 mA. Input time for reset signal should be more than 10 ms. Bank (Refer to page 26.) selection and hold will function only when the input signal is applied.

COM is common to each signal input. Applicable to NPN and PNP input. Use 24 VDC or 12 VDC for the power source of COM. Connect DC- when PNP is applied, and DC+ when NPN is applied.

CEU5 Control signal input



#### 3. Output circuit

There are two outputs, the NPN open collector and the PNP open collector.

The maximum rating is 30 VDC, 50 mA. Operating the controller by exceeding this voltage and amperage could damage the electric circuit.

Therefore, the equipment to be connected must be below this rating.

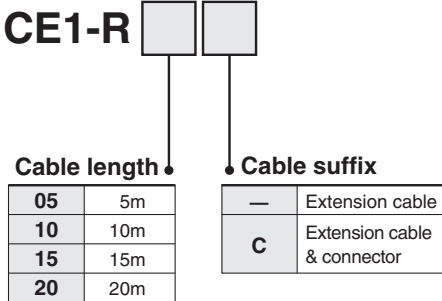
Model	CEU5□-□	CEU5P□-□
Connection method	<p>NPN transistor output</p>	<p>PNP transistor output</p>

\* However, the COM of the input circuit and the COM of the output circuit are electrically insulated from each other.

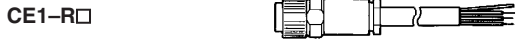


■ Extension Cable

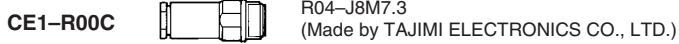
How to Order



Extension cable



Scale cylinder side connector (unit)



# Series CEU

## Operating Condition of each Output Mode

### One-shot output

Without an allowed value	With an allowed value
<p>When the counter value passes the preset value, output is turned ON for 100ms.</p>	<p>When the counter value passes the sum of the preset value + the allowed value, output is turned ON for 100ms.</p>

### Hold output

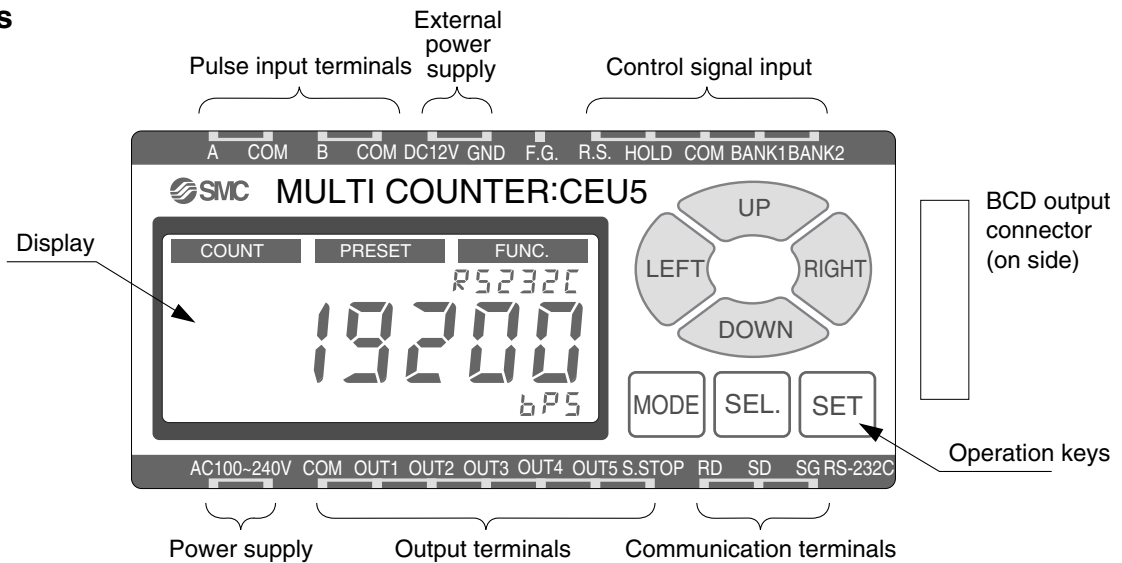
Without an allowed value	With an allowed value
<p>When the counter value passes the preset value, output is turned ON and that state is maintained. Output is cancelled when the power is turned off, the reset signal is input or when the setting value is changed.</p>	<p>When the counter value passes the sum of the preset value + the allowed value, output is turned ON. Output is cancelled when the power is turned off, the reset signal is input or when the setting value is changed.</p>

### Compare output

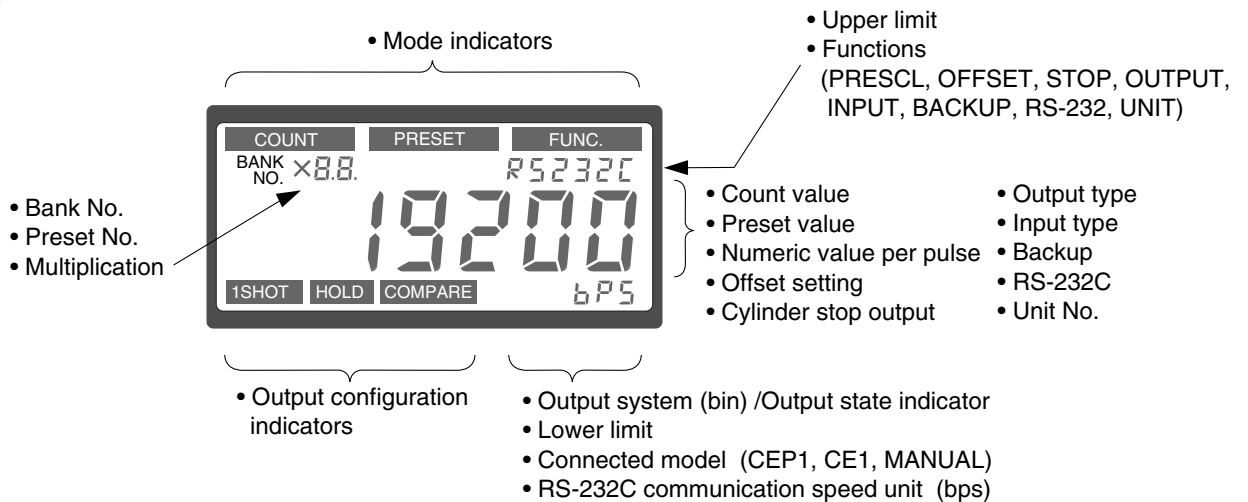
Without an allowed value	With an allowed value
<p>Output is turned ON only when the counter value coincides with the preset value.</p>	<p>When the counter value passes the sum of the preset value + the allowed value, output is turned ON.</p>

## CEU5 Operation

### Part names



### Display detail

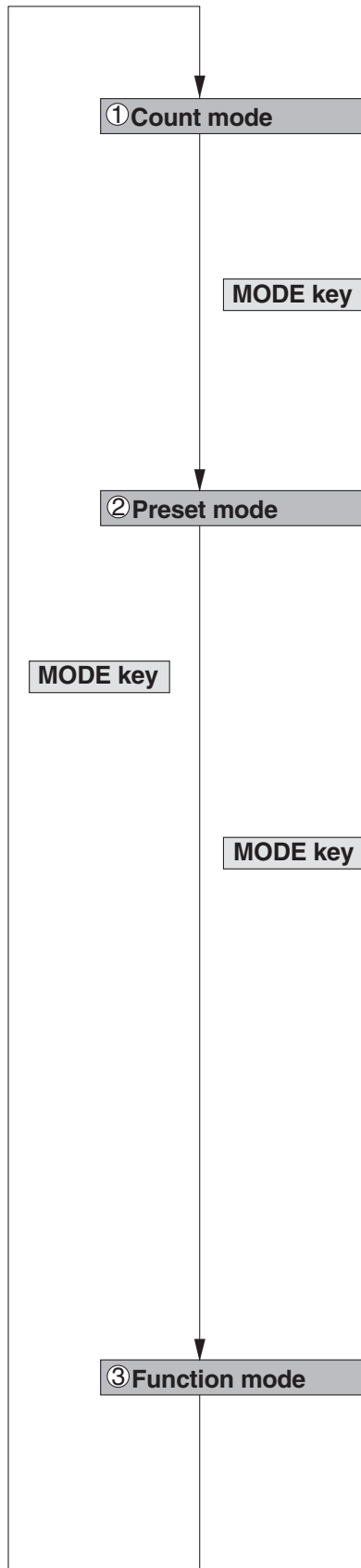


### Keys and functions

Key	Function
MODE	Changes the mode. In any given condition, it shifts to the next mode. Does not write data.
SEL.	Shifts the cursor to the next item. Does not write data.
SET	Writes displayed data into the memory when setting.
RIGHT	Shifts the cursor to the right when setting numerical values.
LEFT	Shifts the cursor to the left when setting numerical values.
UP	Changes the contents of a setting. Increases the value when setting numerical values.
DOWN	Changes the contents of a setting. Decreases the value when setting numerical values.

In the explanations of the operating method, references to "direction keys" indicate the 4 keys RIGHT, LEFT, UP and DOWN.

### Mode cycle using mode key



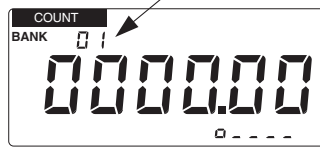
### Basic Operation

- **SET key** : In any of the conditions (1) through (5), this writes the display data into the memory and shifts to (1).
- **SEL. key** : Shifts to the next item, but does not write data.
- **MODE key** : In any given condition, this shifts to the next mode, but does not write data.
- **Direction keys**: LEFT/RIGHT keys shift the digits, and UP/DOWN keys increase or decrease numerical values.

### 1. Explanation of display in count mode

#### Normal output display

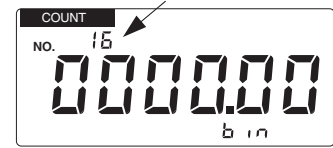
Displays current output bank



Displays output state of each OUT terminal

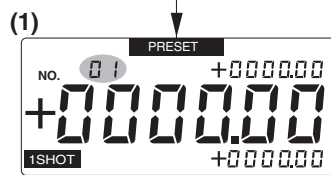
#### Binary output display

Displays only when matched with preset



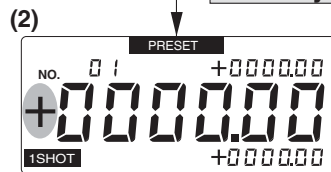
Display of binary output selection

### 2. Setting of preset mode



#### Selection of preset No.

- Select a preset number from 1 to 31 with the UP/DOWN keys.
- Shift to the next item with the SEL. key.



#### Setting the preset value

- Shift the digits with the LEFT/RIGHT keys, and increase or decrease numerical values with the UP/DOWN keys.
- Shift to the next item with the SEL. key.



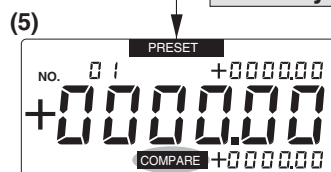
#### Setting the upper limit tolerance

- Set numerical values in the same way with the direction keys.
- When **+** is selected, the lower limit display is cleared and setting is possible.
- Shift to the next item with the SEL. key.



#### Setting the lower limit tolerance

- Set numerical values in the same way with the direction keys.
- When **-** is selected in the upper limit setting, this item is not displayed.
- Shift to the next item with the SEL. key.



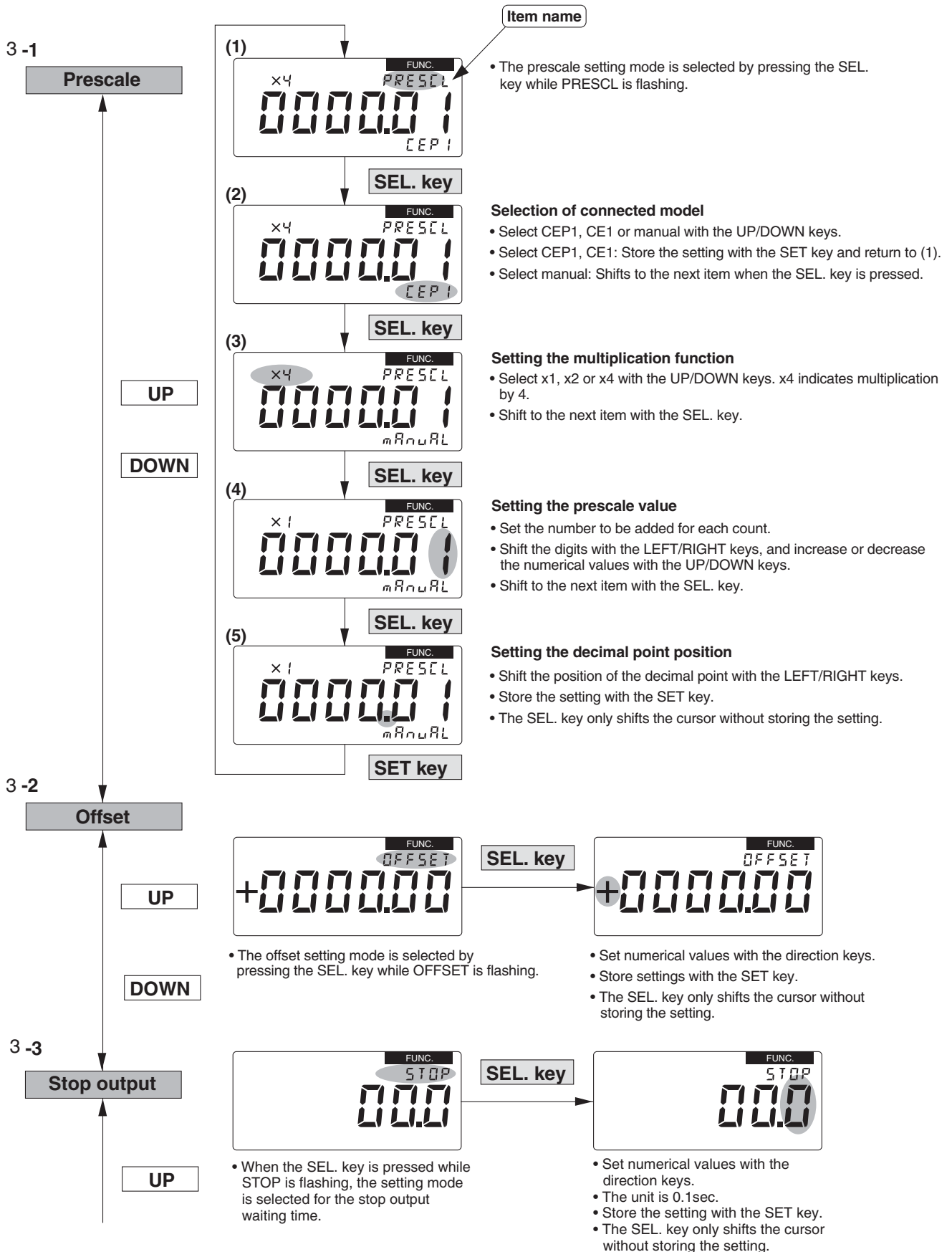
#### Setting the output configuration

- Switch to 1SHOT, HOLD or COMPARE with the UP/DOWN keys.
- Store the setting with the SET key.
- The SEL. key only shifts to another item without storing the setting.



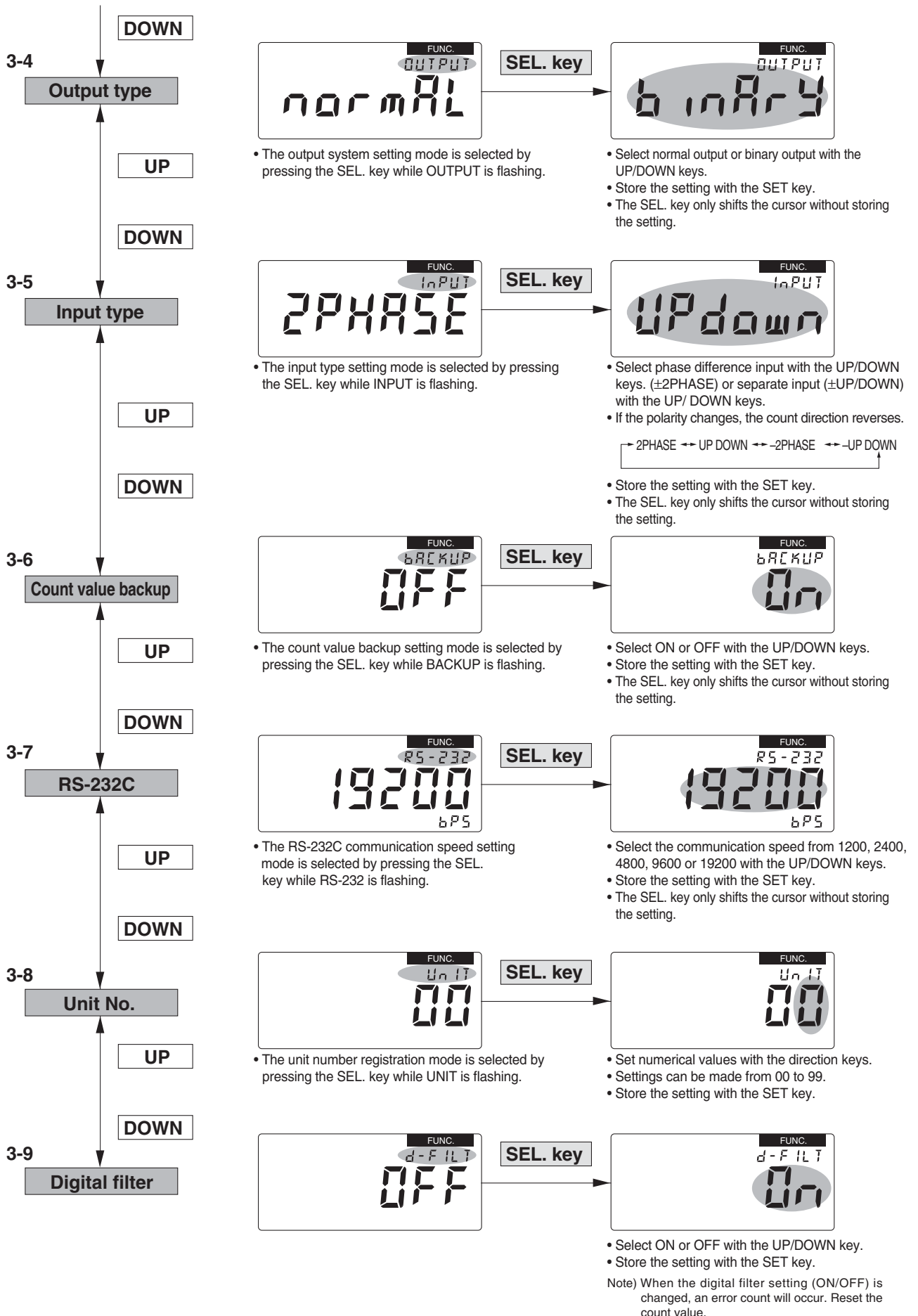
## ③ Explanation of settings in the function mode

If the UP/DOWN keys are pressed when an item name is flashing, it shifts to another setting item. When the SEL. key is pressed, the cursor shifts and it is possible to change the content of the setting for the item which is being displayed.



# Series CEU

## CEU5 Operation



# Glossary (CEU5 Functions)

## BCD Output

This is a system which expresses one digit of a decimal number with a 4 digit binary number.

The count value is expressed by the ON/OFF state of each BCD output terminal. In the case of 6 digits, 24 terminals are required.

The relation between decimal numbers and BCD codes is shown in the table below.

Decimal No.	0	1	2	3	4	5	6	7	8	9
BCD	0000	0001	0010	0011	0100	0101	0110	0111	1000	1001

Ex.) 1294.53 is expressed as follows.  
0001 0010 1001 0100 0101 0011

## RS-232C

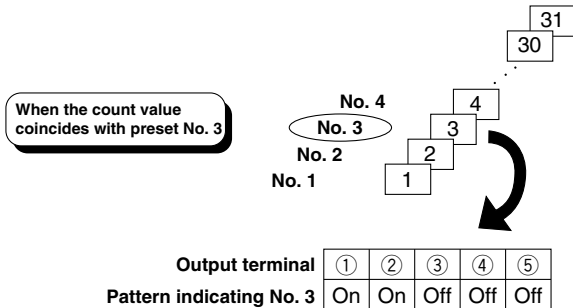
This is the interface standard for the serial transmission method, which is standard equipment on a personal computer.

## Prescale Function

This function allows free setting of how many millimeters will indicate one pulse.

## Binary Output

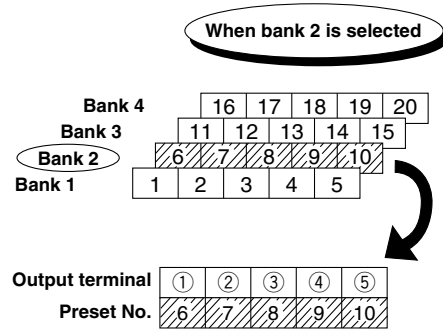
31 point preset output is possible without bank switching, by means of binary system output from a 5 point output terminal. Cylinder stop output is used as the readout release signal.



The coincident preset number is expressed as a 5 digit binary number.

## Bank Function

5 points of preset output are possible simultaneously, however, a maximum of 20 types of work discrimination, etc. can be performed by using the 5 points of preset values as one of a maximum of four quadrants, and switching its use during operation.



For example, when bank 2 is selected, presets 6 through 10 are valid and when the count value coincides with the setting value of 6 through 10, the respective output terminals ① through ⑤ are turned ON.

Bank switching correspondence table

Input terminal / Bank No.	BANK 2	BANK 1
1	OFF	OFF
2	OFF	ON
3	ON	OFF
4	ON	ON

# Glossary (CEU5 Functions)

## Display Offset Function

Normally the count value returns to "0" after resetting, but with this function, the initial value can be set to any desired value.

## Hold Function

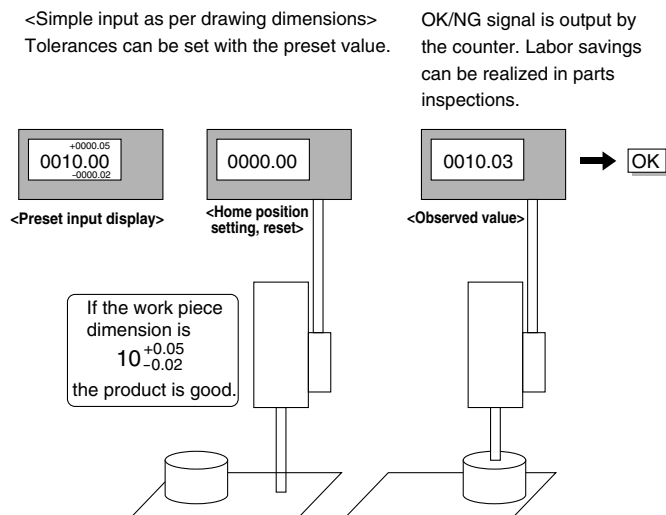
When "hold" is input, the counter holds the current count value in memory. Next, when the count value is read into a PLC which uses serial or BCD output, etc., the count value that was held can be read in, even if there is a time lag.

## Setting of Preset Value Tolerances

In the current model CEU1, the preset value tolerances could only be set as  $\pm$ , but now it has become possible to set an upper and lower limit of  $+ \Delta\text{mm}$  and  $- \Delta\text{mm}$ .

By including preset tolerance setting, superior performance is exhibited in parts inspections, etc. In a work piece to be measured, there are tolerances which assure a good product. For example, in the case of  $10^{+0.05}_{-0.02}$ , the CEU5 allows these tolerances to be input as they stand. If the work piece is within tolerances the OK signal is sent.

On the other hand, in ordinary counters, No.1 is set to 9.98 and No.2 is set to 10.06, and if No.1 is ON and No.2 is OFF, an acceptance decision is made. 2 points of output are used in order to check whether or not the product is within dimension tolerances. In this example, one preset of the CEU5 performs the same function as two presets of an ordinary counter.



## Count Value Protection

In the past, the count value returned to "0" when the power supply was cut off, but this function holds the previous value even after a power failure. This function can be switched between active and inactive settings.

## Cylinder Stop Output

When work piece discrimination is performed using a preset counter, it has been common to estimate the amount of time from the cylinder's start of operation until it touches the work piece and stops, using a timer to read the output after a fixed amount of time.

Since cylinder stop output is now output when there is no cylinder movement for a fixed amount of time, timing of preset output and external output, etc. is simplified.

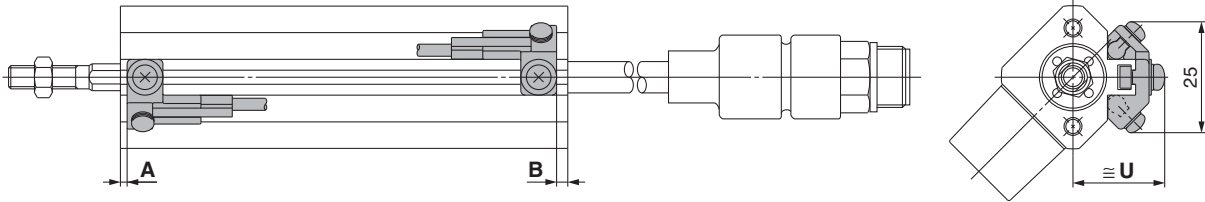


# Series CE1 Auto Switch Mounting

## Auto Switch Proper Mounting Position (Detection at Stroke End) and Its Mounting Height

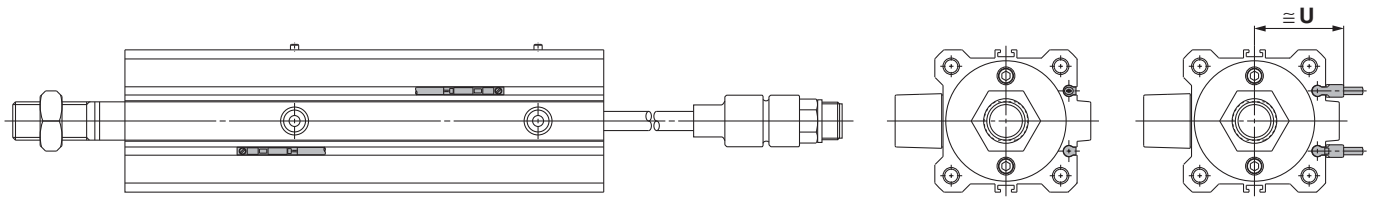
D-A9□      D-A9□V  
 D-M9□      D-M9□V  
 D-M9□W    D-M9□WV  
 D-M9□A    D-M9□AV

ø12 to ø20



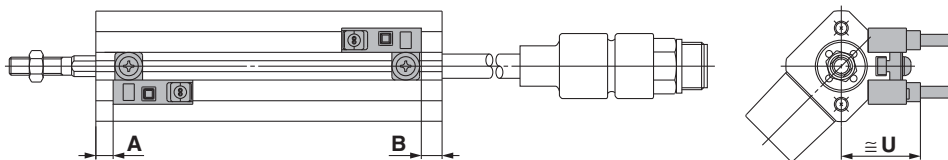
ø32 to ø63

D-A9□      D-A9□V  
 D-M9□      D-M9□V  
 D-M9□W    D-M9□WV  
 D-M9□A    D-M9□AV

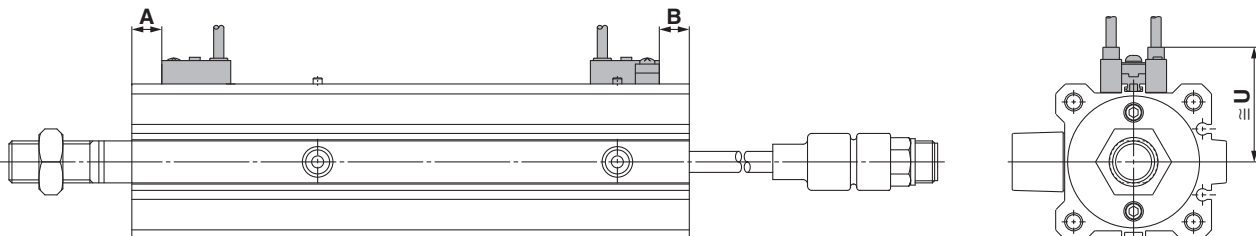


D-A7□      D-F7NT  
 D-A80      D-F7BA  
 D-A7□H    D-A73C  
 D-A80H    D-A80C  
 D-F7□      D-J79C  
 D-J79      D-A79W  
 D-F7□W    D-F7□WV  
 D-J79W    D-J7□V  
 D-F79F    D-F7BAV

ø12 to ø20



ø32 to ø63



# Series CE1

## Auto Switch Proper Mounting Position (Detection at Stroke End) and Its Mounting Height

### Auto Switch Proper Mounting Position

(mm)

Auto switch model Bore size (mm)	D-A9□ D-A9□V		D-M9□ D-M9□V D-M9□W D-M9□WV D-M9□A D-M9□AV		D-A73 D-A80		D-A72/A7□H/A80H D-A73C/A80C/F7□ D-F79F/J79/F7□V D-J79C/F7□W D-J79W/F7□WV D-F7BAV/F7BA		D-F7NT		D-A79W	
	A	B	A	B	A	B	A	B	A	B	A	B
12	37	5.5	41	9.5	38	6.5	38.5	7	43.5	12	35.5	4.5
20	46	12	50	16	47	13	47.5	13.5	52.5	18.5	44.5	10.5
32	54	16	58	20	55	17	55	17.5	60.5	22.5	52.5	14.5
40	78	38	82	42	79	39	79.5	39.5	84.5	44.5	76.5	36.5
50	81	43	85	47	82	44	82.5	44.5	87.5	49.5	79.5	41.5
63	84.5	40.5	88.5	44.5	85.5	41.5	86	42	91	47	83	39

Note) Adjust the auto switch after confirming the operating conditions in the actual setting.

### Auto Switch Mounting Height

(mm)

Auto switch model Bore size (mm)	D-A9□V	D-M9□V D-M9□WV D-M9□AV	D-A7□ D-A80	D-A7□H D-A80H D-F7□ D-J79 D-F7□W D-J79W D-F7BA D-F79F D-F7NT	D-A73C D-A80C	D-F7□V D-F7□WV D-F7BAV	D-J79C	D-A79W
	U	U	U	U	U	U	U	U
12	20.5	20.5	19.5	20.5	26.5	23	26	22
20	25.5	25.5	24.5	25.5	31.5	28	31	27
32	27	29	31.5	32.5	38.5	35	38	34
40	30.5	32.5	35	36	42	38.5	41.5	37.5
50	36.5	38.5	41	42	48	44.5	47.5	43.5
63	40	42	47.5	48.5	54.5	51	54	50

\* Auto switch mounting brackets BQ2-012 are not used for sizes over ø32 of D-A9□V/M9□V/M9□WV/M9□AVL types. In that case, the above values indicate the operating range when mounted with the conventional auto switch installation groove.

### Minimum Auto Switch Mounting Stroke

(mm)

No. of auto switches mounted	D-M9□V D-F7□V D-J79C	D-A9□V D-A7□ D-A80 D-A73C D-A80C	D-A9□	D-M9□WV D-M9□AV D-F7□WV D-F7BAVL	D-M9□ D-F7□ D-J79	D-M9□W D-M9□A	D-A7□H D-A80H	D-A79W	D-F7□W D-J79W D-F7BA D-F79F D-F7NT
1 pc.	5	5	10 (5)	10	15 (5)	15 (10)	15 (5)	15	20 (10)
2 pcs.	5	10	10	15	15 (5)	15	15 (10)	20	20 (15)

Note) The dimensions stated in ( ) shows the minimum stroke for the auto switch mounting when the auto switch does not project from the end surface of the cylinder body and hinder the lead wire bending space. (Refer to the figure below.)  
Order auto switches and auto switch mounting brackets separately.



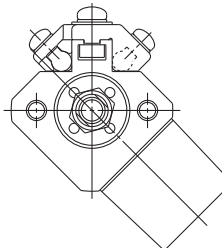
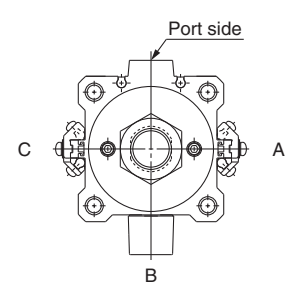
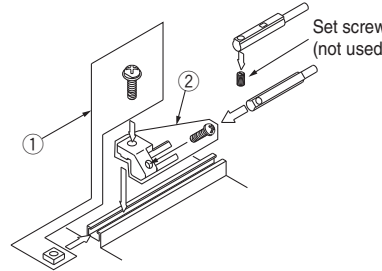
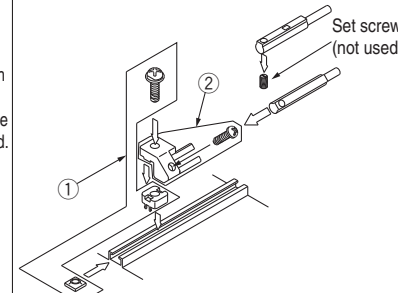
### Operating Range

(mm)

Auto switch model	Bore size (mm)					
	12	20	32	40	50	63
D-A9□(V)	7	9	9.5	9.5	9.5	11.5
D-M9□(V) D-M9□W(V) D-M9□A(V)	2.5	4	6	6	6	6.5
D-A7□(H)(C) D-A80□(H)(C)	9.5	12	12	11	10	12
D-A79W	11.5	13	13	14	14	16
D-F7□(V) D-J79(C) D-F7□W(V) D-F7BA(V) D-F7NT D-F79F	4	5.5	6	6	6	6.5

\* Since the operating range is provided as a guideline including hysteresis, it cannot be guaranteed (assuming approximately ±30% dispersion). It may vary substantially depending on an ambient environment.

## Auto Switch Mounting Bracket: Part No.

Auto switch mounting surface	Bore size (mm)		
	$\phi 12, \phi 20$	$\phi 32, \phi 40, \phi 50, \phi 63$	
			
Auto switch model	Auto switch mounting rail side only	Port side	Auto switch mounting surface A, B, C
<b>D-A9</b> □ <b>D-A9</b> □ <b>V</b> <b>D-M9</b> □ <b>D-M9</b> □ <b>V</b> <b>D-M9</b> □ <b>W</b> <b>D-M9</b> □ <b>WV</b> <b>D-M9</b> □ <b>A</b> <b>D-M9</b> □ <b>AV</b>	① BQ-1 ② BQ2-012 Two kinds of auto switch mounting brackets are used as a set. 	Auto switch mounting brackets are not required.	① BQ-2 ② BQ2-012 Two kinds of auto switch mounting brackets are used as a set. 

Note 1) When a compact auto switch is mounted on the three sides (A, B and C above) other than the port side of CE1□32 to 50, the auto switch mounting brackets above are required. Order them separately from cylinders.  
 (It is the same as when mounting compact cylinders with an auto switch mounting rail, but not with CE1□63 to 100 compact auto switch installation groove.)  
 Example order:  
 CE1B32-100-M9BW ..... 1 unit  
 BQ-2 ..... 2 pcs.  
 BQ2-012 ..... 2 pcs.

Note 2) Auto switch mounting brackets and auto switches are shipped together with cylinders.

Note 3) D-A9□ and D-A9□V auto switches cannot be used with the product with a bore size of  $\phi 12$  (CE1□12).

Auto switch model	Bore size (mm)		
	$\phi 12$ to $\phi 20$	$\phi 32$	$\phi 40$ to $\phi 63$
<b>D-A7</b> □/A80 <b>D-A73C/A80C</b> <b>D-A7</b> □H/A80H <b>D-A79W</b> <b>D-F7</b> □/J79 <b>D-F7</b> □V <b>D-J79C</b> <b>D-F7</b> □W/J79W <b>D-F7</b> □WV <b>D-F7BA/F7BAV</b> <b>D-F79F/F7NT</b>	BQ-1		BQ-2

Note 4) Auto switch mounting brackets and auto switches are shipped together with cylinders.

### [Mounting screw set made of stainless steel]

The following set of mounting screws made of stainless steel (including nuts) is available. Use it in accordance with the operating environment. (Please order BQ-2 separately, since the auto switch spacer (for BQ-2) is not included.)

BBA2: For D-A7/A8/F7/J7 types

D-F7BA/F7BAV auto switches are set on the cylinder with the stainless steel screws above when shipped.

When an auto switch is shipped independently, BBA2 is attached.

Note 5) Refer to [www.smc.eu](http://www.smc.eu) for the details of BBA2.

Note 6) When mounting D-M9□A(V) on a port other than the ports for  $\phi 32, \phi 40$  and  $\phi 50$ , order auto switch mounting brackets BQ2-012S, BQ-2 and stainless steel screw set BBA2 separately.

### Auto Switch Mounting Bracket Weight

Auto switch mounting bracket part no.	Applicable bore size	Weight (g)
BQ-1	$\phi 12$ to $\phi 20$	1.5
BQ-2	$\phi 32$ to $\phi 63$	1.5
BQ2-012	$\phi 12$ to $\phi 63$	5

### Other Applicable Auto Switches

Auto switch type	Model	Electrical entry (Fetching direction)	Features
<b>Reed</b>	D-A73	Grommet (Perpendicular)	—
	D-A80		Without indicator light
	D-A73H, A76H	Grommet (In-line)	—
	D-A80H		Without indicator light
<b>Solid state</b>	D-F7NV, F7PV, F7BV	Grommet (Perpendicular)	—
	D-F7NWV, F7BWV		Diagnostic indication (2-colour indication)
	D-F7BAVL		Water resistant (2-colour indication)
	D-F79, F7P, J79	Grommet (In-line)	—
	D-F79W, F7PW, J79W		Diagnostic indication (2-colour indication)
	D-F7BA		Water resistant (2-colour indication)
	D-F7NT		With timer

\* For solid state auto switches, auto switches with a pre-wired connector are also available. Refer to Auto Switch Guide for details.

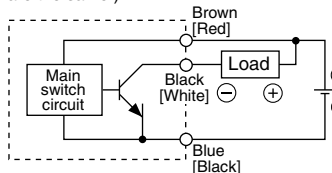
\* Normally closed (NC = b contact), solid state auto switch (D-F9G/F9H type) are also available. Refer to Auto Switch Guide for details.

# Series CE Auto Switch Connections and Examples

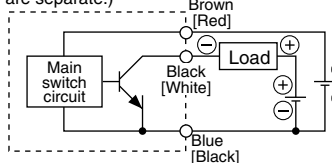
## Basic Wiring

### Solid state 3 wire, NPN

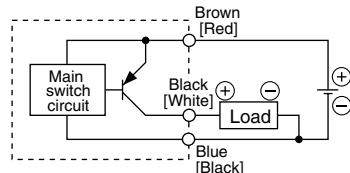
(Power supply for switch and load are the same.)



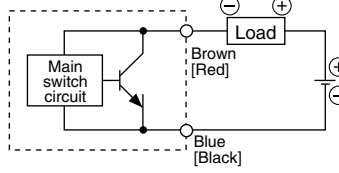
(Power supply for switch and load are separate.)



### Solid state 3 wire, PNP

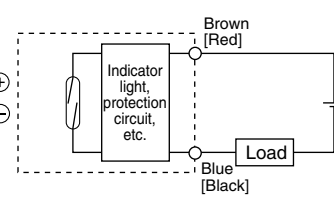
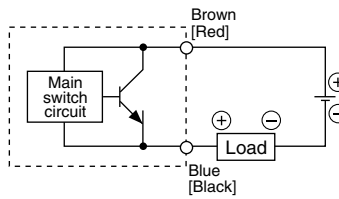
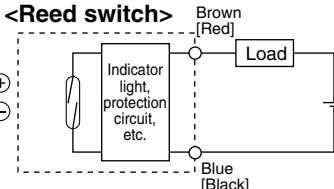


### 2 wire <Solid state>



### 2 wire

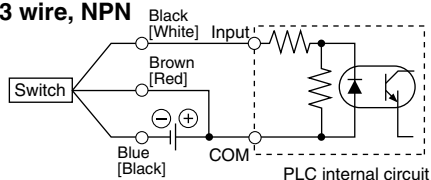
#### <Reed switch>



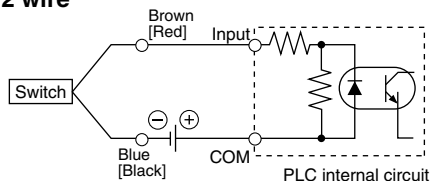
## Examples of Connection to PLC (Sequence Controller)

### Specification for sink input

#### 3 wire, NPN

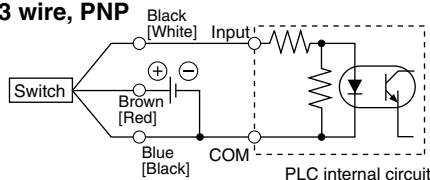


#### 2 wire

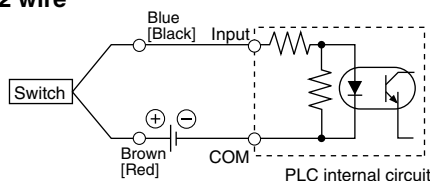


### Specification for source input

#### 3 wire, PNP



#### 2 wire

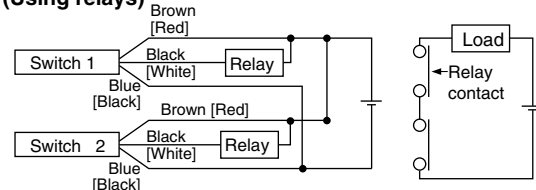


Connect according to the applicable PLC input specifications, as the connection method will vary depending on the PLC input specifications.

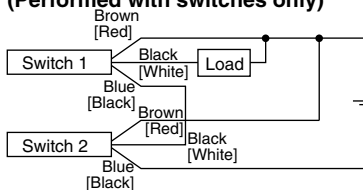
## Connection Examples for AND (Series) and OR (Parallel)

### 3 wire

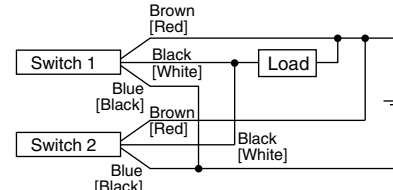
#### AND connection for NPN output (Using relays)



#### AND connection for NPN output (Performed with switches only)

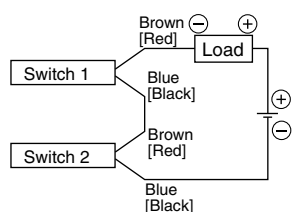


#### OR connection for NPN output



The indicator lights will light up when both switches are turned ON.

### 2 wire with 2 switch AND connection

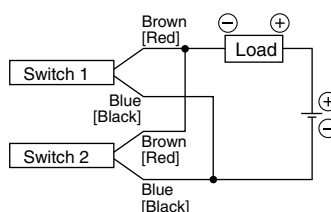


When two switches are connected in series, a load may malfunction because the load voltage will decline when in the ON state. The indicator lights will light up if both of the switches are in the ON state.

$$\begin{aligned} \text{Load voltage at ON} &= \text{Power supply voltage} - \text{Residual voltage} \times 2 \text{ pcs.} \\ &= 24\text{V} - 4\text{V} \times 2 \text{ pcs.} \\ &= 16\text{V} \end{aligned}$$

Example: Power supply is 24VDC  
Voltage decline in switch is 4V

### 2 wire with 2 switch OR connection



<Solid state>  
When two switches are connected in parallel, malfunction may occur because the load voltage will increase when in the OFF state.

<Reed switch>  
Because there is no current leakage, the load voltage will not increase when turned OFF, but due to the number of switches in the ON state, the indicator lights will sometimes get dark or not light up, because of dispersion and reduction of the current flowing to the switches.

$$\begin{aligned} \text{Load voltage at OFF} &= \text{leakage current} \times 2 \text{ pcs.} \times \text{load impedance} \\ &= 1\text{mA} \times 2 \text{ pcs.} \times 3\text{k}\Omega \\ &= 6\text{V} \end{aligned}$$

Example: Load impedance is 3kΩ  
Leakage current from switch is 1mA



# Series CE Actuator Precautions 1

Be sure to read before handling.

## Precautions on design

### Warning

- 1. There is a possibility of dangerous sudden action by air cylinders if sliding parts of machinery are twisted due to external forces, etc.**

In such cases, human injury may occur; e.g., by catching hands or feet in the machinery, or damage to the machinery itself may occur. Therefore, the machine should be designed to avoid such dangers.

- 2. A protective cover is recommended to minimize the risk of personal injury.**

If a stationary object and moving parts of a cylinder are in close proximity, personal injury may occur. Design the structure to avoid contact with the human body.

- 3. Securely tighten all stationary parts and connected parts so that they will not become loose.**

When a cylinder operates with high frequency or a cylinder is installed where there is a lot of vibration, ensure that all parts remain secure.

- 4. A deceleration circuit or shock absorber, etc., may be required.**

When a driven object is operated at high speed or the load is heavy, a cylinder's cushion will not be sufficient to absorb the impact. Install a deceleration circuit to reduce the speed before cushioning, or install an external shock absorber to relieve the impact. In this case, the rigidity of the machinery should also be examined.

- 5. Consider a possible drop in operating pressure due to a power outage, etc.**

When a cylinder is used in a clamping mechanism, there is a danger of work dropping if there is a decrease in clamping force due to a drop in circuit pressure caused by a power outage, etc. Therefore, safety equipment should be installed to prevent damage to machinery and human injury. Suspension mechanisms and lifting devices also require consideration for drop prevention.

- 6. Consider a possible loss of power source.**

Measures should be taken to protect against human injury and equipment damage in the event that there is a loss of power to equipment controlled by air pressure, electricity or hydraulics, etc.

- 7. Design circuitry to prevent sudden lurching of driven objects.**

When a cylinder is driven by an exhaust center type directional control valve or when starting up after residual pressure is exhausted from the circuit, etc., the piston and its driven object will lurch at high speed if pressure is applied to one side of the cylinder because of the absence of air pressure inside the cylinder. Therefore, equipment should be selected and circuits designed to prevent sudden lurching, because there is a danger of human injury and/or damage to equipment when this occurs.

- 8. Consider emergency stops.**

Design so that human injury and/or damage to machinery and equipment will not be caused when machinery is stopped by a safety device under abnormal conditions, a power outage or a manual emergency stop.

- 9. Consider the action when operation is restarted after an emergency stop or abnormal stop.**

Design the machinery so that human injury or equipment damage will not occur upon restart of operation. When the cylinder has to be reset at the starting position, install manual safety equipment.

## Selection

### Warning

- 1. Check the specifications.**

The products advertised in this catalogue are designed according to use in industrial compressed air systems. If the products are used in conditions where pressure, temperature, etc., are out of specification, damage and/or malfunction may be caused. Do not use in these conditions.

Consult SMC if you use a fluid other than compressed air.

- 2. Intermediate stops.**

When intermediate stopping of a cylinder piston is performed with a 3 position closed center type directional control valve, it is difficult to achieve stopping positions as accurate and minute as with hydraulic pressure, due to the compressibility of air.

Furthermore, since valves and cylinders, etc. are not guaranteed for zero air leakage, it may not be possible to hold a stopped position for an extended period of time. Contact SMC in case it is necessary to hold a stopped position for an extended period.

### Caution

- 1. Use a speed controller to adjust the cylinder drive speed, gradually increasing from a low speed to the desired speed setting.**

## Mounting

### Caution

- 1. Do not apply strong impact or large moment, etc. when mounting a work piece.**

An external force greater than the allowable moment can cause rattling in the guide unit and increased sliding resistance, etc.

- 2. Do not use in applications subject to the effect of a large external force or impact force, etc.**

This can cause failure.

- 3. Do not use until you verify that the equipment can operate properly.**

After mounting, repair or modification, etc., connect the air supply and electric power, and then confirm proper mounting by means of appropriate function and leak inspections.

- 4. Instruction manual.**

The product should be mounted and operated after thoroughly reading the manual and understanding its contents.

Keep the instruction manual where it can be referred to as needed.

## Piping

### Caution

- 1. Preparation before piping.**

Before piping is connected, it should be thoroughly blown out with air (flushing) or washed to remove cutting chips, cutting oil and other debris from inside the pipe.



# Series CE Actuator Precautions 2

Be sure to read before handling.

## Lubrication

### ⚠ Caution

#### 1. Lubrication of non-lube type cylinder.

The cylinder is lubricated at the factory and can be used without any further lubrication.

However, in the event that it will be lubricated, use turbine oil class 1 (with no additives) ISO VG32.

Stopping lubrication later may lead to malfunction due to the loss of the original lubricant. Therefore, lubrication must be continued once it has been started.

## Air Supply

### ⚠ Warning

#### 1. Use clean air.

If compressed air includes chemicals, synthetic oils containing organic solvents, salt or corrosive gases, etc., it can cause damage or malfunction.

### ⚠ Caution

#### 1. Install air filters.

Install air filters at the upstream side of valves. The filtration degree should be 5µm or less.

#### 2. Install an air dryer, after cooler, etc.

Air that includes much condensate causes malfunction of valves and other pneumatic equipment. To prevent this, install an air dryer, after cooler, etc.

#### 3. Use the product within the specified range of fluid and ambient temperature.

Take measures to prevent freezing, since moisture in circuits will be frozen under -5°C, and this may cause damage to seals and lead to malfunction.

Refer to the "Air Cleaning Equipment" catalogue for details on compressed air quality.

## Operating Environment

### ⚠ Warning

#### 1. Do not use in environments where there is a danger of corrosion.

Refer to the construction drawings regarding cylinder materials.

#### 2. In dirty areas, such as dusty locations or where water, oil, etc. splash on the equipment, take suitable measures to protect the entire actuator.

#### 3. When using auto switches, do not operate in an environment with strong magnetic fields.

This can cause auto switches to malfunction.

### ⚠ Caution

#### 1. Do not use in an environment where fluids such as cutting oil will come into direct contact with the actuator.

Operation in environments where fluids such as cutting oil, coolant or oil mist come into contact with the actuator body can cause rattling, increased sliding resistance and air leaks, etc.

## Operating Environment

### ⚠ Caution

#### 2. Do not operate in an environment where particulate matter, dust, cutting chips or spatter, etc. come into direct contact with the actuator.

This can cause rattling, increased sliding resistance and air leaks, etc.

Contact SMC regarding applications in this kind of environment.

#### 3. Provide shading in locations which receive direct sunlight.

#### 4. Block off any nearby heat sources.

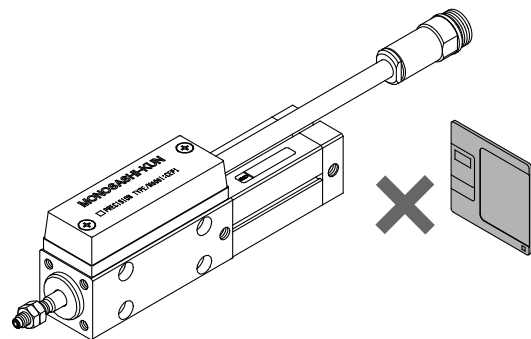
When heat sources are present in the vicinity, it is possible for radiated heat to raise the product's temperature beyond its operating temperature range. In this case, a cover, etc. should be provided to block the heat.

#### 5. Do not operate in locations where vibration or impact occur.

Since this can cause damage or malfunction, etc., contact SMC regarding applications in this kind of environment.

#### 6. Do not allow items influenced by magnetism near the actuator.

Since magnets are built into the cylinder, items such as magnetic disks, magnetic cards or magnetic tapes should not be allowed nearby, as data may be destroyed.



## Maintenance

### ⚠ Warning

#### 1. Maintenance should be done according to the procedure indicated in the operating manual.

If handled improperly, malfunction and damage of machinery or equipment may occur.

#### 2. Machine maintenance, and supply and exhaust of compressed air.

When machinery is serviced, first check measures to prevent dropping of driven objects and run-away of equipment, etc. Then cut off the supply pressure and electric power, and exhaust all compressed air from the system.

When machinery is restarted, check that operation is normal with actuators in the proper positions.

### ⚠ Caution

#### 1. Drain flushing.

Remove condensate from air filters regularly.  
(Refer to specifications.)



# Series CE Auto Switch Precautions 1

Be sure to read before handling.

## Design & Selection

### Warning

#### 1. Confirm the specifications.

Read the specifications carefully and use this product appropriately. The product may be damaged or malfunction if it is used outside the range of specifications for current load, voltage, temperature or impact.

#### 2. Take precautions when multiple cylinders are used close together.

When multiple auto switch cylinders are used in close proximity, magnetic field interference may cause the switches to malfunction. Maintain a minimum cylinder separation of 40mm.

#### 3. Pay attention to the length of time that a switch is ON at an intermediate stroke position.

When an auto switch is placed at an intermediate position of the stroke and a load is driven at the time the piston passes, the auto switch will operate, but if the speed is too great the operating time will be shortened and the load may not operate properly. The maximum detectable piston speed is:

$$V(\text{mm/s}) = \frac{\text{Auto switch operating range (mm)}}{\text{Time load applied (ms)}} \times 1000$$

#### 4. Wiring should be kept as short as possible.

##### <Reed switch>

As the length of the wiring to a load gets longer, the rush current at switching ON becomes greater, and this may shorten the product's life. (The switch will stay ON all the time.)

- 1) For an auto switch without a contact protection circuit, use a contact protection box when the wire length is 5m or longer.
- 2) Even if an auto switch has a built-in contact protection circuit, when the wiring is more than 30m long, it is not able to adequately absorb the rush current and its life may be reduced. It is again necessary to connect a contact protection box in order to extend its life. Please contact SMC in this case.

##### <Solid state switch>

- 3) Although wire length should not affect switch function, use a wire 100m or shorter.

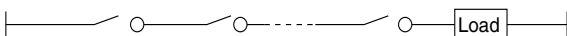
#### 5. Take precautions for the internal voltage drop of the switch.

##### <Reed switch>

- 1) Switches with an indicator light (Except D-A76H, A96, A96V)
  - If auto switches are connected in series as shown below, take note that there will be a large voltage drop because of internal resistance in the light emitting diode. (Refer to internal voltage drop in the auto switch specifications.)

[The voltage drop will be "n" times larger when "n" auto switches are connected.]

Even though an auto switch operates normally, the load may not operate.



### Warning

- In the same way, when operating under a specified voltage, although an auto switch may operate normally, the load may not operate. Therefore, the formula below should be satisfied after confirming the minimum operating voltage of the load.

$$\text{Supply voltage} - \text{Internal voltage drop of switch} > \text{Minimum operating voltage of load}$$

- 2) If the internal resistance of a light emitting diode causes a problem, select a switch without an indicator lamp (Model D-A80, A80H, A90, A90V).

##### <Solid state switch>

- 3) Generally, the internal voltage drop will be greater with a 2 wire solid state auto switch than with a reed switch. Take the same precautions as in 1).

Also, note that a 12VDC relay is not applicable.

#### 6. Pay attention to leakage current.

##### <Solid state switch>

With a 2 wire solid state auto switch, current (leakage current) flows to the load to operate the internal circuit even when in the OFF state.

$$\text{Operating current of load (OFF condition)} > \text{Leakage current}$$

If the criteria given in the above formula are not met, it will not reset correctly (stays ON). Use a 3 wire switch if this specification will not be satisfied.

Moreover, leakage current flow to the load will be "n" times larger when "n" auto switches are connected in parallel.

#### 7. Do not use a load that generates surge voltage.

##### <Reed switch>

If driving a load such as a relay that generates a surge voltage, use a switch with a built-in contact protection circuit or use a contact protection box.

##### <Solid state switch>

Although a zener diode for surge protection is connected at the output side of a solid state auto switch, damage may still occur if the surge is applied repeatedly. When a load, such as a relay or solenoid, which generates surge is directly driven, use a type of switch with a built-in surge absorbing element.

#### 8. Cautions for use in an interlock circuit.

When an auto switch is used for an interlock signal requiring high reliability, devise a double interlock system to avoid trouble by providing a mechanical protection function, or by also using another switch (sensor) together with the auto switch. Also perform periodic maintenance and confirm proper operation.

#### 9. Ensure sufficient clearance for maintenance activities.

When designing an application, be sure to allow sufficient clearance for maintenance and inspections.



# Series CE Auto Switch Precautions 2

Be sure to read before handling.

## Mounting & Adjustment

### Warning

#### 1. Do not drop or bump.

Do not drop, bump or apply excessive impacts (300m/s<sup>2</sup> or more for reed switches and 1000m/s<sup>2</sup> or more for solid state switches) while handling.

Although the body of the switch may not be damaged, the inside of the switch could be damaged and cause a malfunction.

#### 2. Do not carry a cylinder by the auto switch lead wires.

Never carry a cylinder by its lead wires. This may not only cause broken lead wires, but it may cause internal elements of the switch to be damaged by the stress.

#### 3. Mount switches using the proper fastening torque.

When a switch is tightened beyond the range of fastening torque, the mounting screws, mounting bracket or switch may be damaged. On the other hand, tightening below the range of fastening torque may allow the switch to slip out of position.

#### 4. Mount a switch at the center of the operating range.

Adjust the mounting position of an auto switch so that the piston stops at the center of the operating range (the range in which a switch is ON).

(The mounting position shown in a catalog indicates the optimum position at stroke end.) If mounted at the end of the operating range (around the borderline of ON and OFF), operation will be unstable.

## Wiring

### Warning

#### 1. Avoid repeatedly bending or stretching lead wires.

Broken lead wires will result from applying bending stress or stretching force to the lead wires.

#### 2. Be sure to connect the load before power is applied.

<2 wire type>

If the power is turned ON when an auto switch is not connected to a load, the switch will be instantly damaged because of excess current.

#### 3. Confirm proper insulation of wiring.

Be certain that there is no faulty wiring insulation (contact with other circuits, ground fault, improper insulation between terminals, etc.). Damage may occur due to excess current flow into a switch.

#### 4. Do not wire with power lines or high voltage lines.

Wire separately from power lines or high voltage lines, avoiding parallel wiring or wiring in the same conduit with these lines. Control circuits, including auto switches, may malfunction due to noise from these other lines.

#### 5. Do not allow short circuit of loads.

<Reed switch>

If the power is turned ON with a load in a short-circuited condition, the switch will be instantly damaged because of excess current flow into the switch.

## Wiring

### Warning

<Solid state switch>

Model D-F9□(V), F9□W(V) and all models of PNP output type switches do not have built-in short circuit prevention circuits. If loads are short circuited, the switches will be instantly damaged. Take special care to avoid reverse wiring with the brown (red) power supply line and the black (white) output line on 3 wire type switches.

#### 6. Avoid incorrect wiring.

<Reed switch>

A 24VDC switch with indicator light has polarity. The brown lead wire or terminal No. 1 is (+), and the blue lead wire or terminal No. 2 is (-).

- 1) If connections are reversed, a switch will operate, however, the light emitting diode will not light up.

Also note that a current greater than that specified will damage a light emitting diode and it will no longer operate.

Applicable models: D-A73, A73H, D-A93, A93V

- 2) Note however, that in the case of 2 color indicator type auto switches (D-A79W), if the wiring is reversed, the the switch will be in a normally ON condition.

<Solid state switch>

- 1) If connections are reversed on a 2 wire type switch, the switch will not be damaged if protected by a protection circuit, but the switch will always stay in an ON state. However, it is still necessary to avoid reversed connections, since the switch could be damaged by a load short circuit in this condition.
- 2) If connections are reversed (power supply line + and power supply line -) on a 3 wire type switch, the switch will be protected by a protection circuit. However, if the power supply line (+) is connected to the blue (black) wire and the power supply line (-) is connected to the black (white) wire, the switch will be damaged.

### \* Lead wire colour changes

Lead wire colours of SMC switches and related products have been changed in order to meet NECA (Nippon Electric Control Equipment Industries Association) Standard 0402 for production beginning September, 1996 and thereafter. Please refer to the tables provided.

Special care should be taken regarding wire polarity during the time that the old colors still coexist with the new colours.

#### 2 wire

	Old	New
Output (+)	Red	Brown
Output (-)	Black	Blue

#### 3 wire

	Old	New
Power supply	Red	Brown
GND	Black	Blue
Output	White	Black

#### Solid state switch with diagnostic output

	Old	New
Power supply	Red	Brown
GND	Black	Blue
Output	White	Black
Diagnostic Output	Yellow	Orange

#### Solid state switch with latch type diagnostic output

	Old	New
Power supply	Red	Brown
GND	Black	Blue
Output	White	Black
Latch type diagnostic Output	Yellow	Orange





# Series CE Auto Switch Precautions 3

Be sure to read before handling.

## Operating Environment

### Warning

#### 1. Never use in an atmosphere of explosive gases.

The structure of auto switches is not intended to prevent explosion. Never use in an atmosphere with an explosive gas since this may cause a serious explosion.

#### 2. Do not use in an area where a magnetic field is generated.

Auto switches will malfunction or magnets inside cylinders will become demagnetized. (Consult SMC regarding the availability of a magnetic field resistant auto switch.)

#### 3. Do not use in an environment where the auto switch will be continually exposed to water.

Although switches, except for a few models, satisfy IEC standard IP67 construction (JIS C 0920: watertight construction), do not use switches in applications where continually exposed to water splash or spray. Poor insulation or swelling of the potting resin inside switches may cause malfunction.

#### 4. Do not use in an environment with oil or chemicals.

Consult SMC if auto switches will be used in an environment with coolant, cleaning solvent, various oils or chemicals. If auto switches are used under these conditions for even a short time, they may be adversely affected by improper insulation, malfunction due to swelling of the potting resin, or hardening of the lead wires.

#### 5. Do not use in an environment with temperature cycles.

Consult SMC if switches are used where there are temperature cycles other than normal temperature changes, as they may be adversely affected.

#### 6. Do not use in an environment where there is excessive impact.

##### <Reed switch>

When excessive impact (300m/s<sup>2</sup> or more) is applied to a reed switch during operation, the contact point will malfunction and generate or cut off a signal momentarily (1ms or less). Consult SMC regarding the need to use a solid state switch depending upon the environment.

#### 7. Do not use in an area where surges are generated.

##### <Solid state switch>

When there are units (solenoid type lifter, high frequency induction furnace, motor, etc.) which generate a large amount of surge in the area around cylinders with solid state auto switches, this may cause deterioration or damage to the switch. Avoid sources of surge generation and disorganized lines.

#### 8. Avoid accumulation of iron powder or close contact with magnetic substances.

When a large amount of ferrous powder such as machining chips or spatter is accumulated, or a magnetic substance (something attracted by a magnet) is brought into close proximity with an auto switch cylinder, it may cause the auto switch to malfunction due to a loss of the magnetic force inside the cylinder.

## Maintenance

### Warning

#### 1. Perform the following maintenance periodically in order to prevent possible danger due to unexpected auto switch malfunction.

##### 1) Secure and tighten switch mounting screws.

If screws become loose or the mounting position is dislocated, retighten them after readjusting the mounting position.

##### 2) Confirm that there is no damage to lead wires.

To prevent faulty insulation, replace switches or repair lead wires, etc., if damage is discovered.

##### 3) Confirm the lighting of the green light on the 2 color indicator type switch.

Confirm that the green LED is on when stopped at the established position. If the red LED is on, the mounting position is not appropriate. Readjust the mounting position until the green LED lights up.

## Other

### Warning

#### 1. Consult SMC concerning water resistance, elasticity of lead wires, and usage at welding sites, etc.



# Series CE / Specific Product Precautions

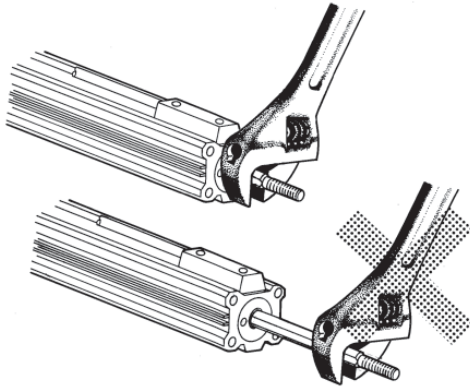
Be sure to read before handling. Refer to pages 32 through 36 and backpage for actuator precautions, auto switch precautions and safety precautions.

## Mounting

### Caution

- When screwing a nut or fitting, etc. onto the threaded section at the end of the piston rod, return the piston rod to its fully retracted position, and grasp the exposed portion of the rod across two parallel sides with a wrench. In the case of the high precision scale cylinder, there are no parallel sides. Secure the work piece with a double nut.

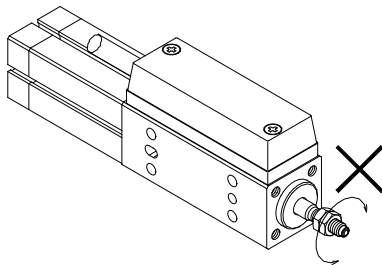
Note) Do not apply rotational torque to the piston rod.



- The load on the piston rod should normally be applied in an axial direction.
  - In case a load is applied that is not in the axial direction of the cylinder, the load itself should be controlled with a guide.
  - When mounting the cylinder, it should be carefully aligned.

- Applications which apply rotational torque to the piston rod should be avoided.

- Be careful to avoid scratches or dents, etc. on the sliding sections of the piston rod.



## Sensor Unit

### Caution

- The sensor unit is adjusted to the proper position at the time of shipment. Therefore, the sensor unit should not be removed from the body under any circumstances.
- The cylinder should be protected from contact with liquids such as coolants or coolant water. (CE1)
- The sensor cable should not be pulled with a strong force.
- Since the scale cylinder sensor uses a magnetic system, malfunction may occur if there is a strong magnetic field near the sensor. The cylinder can be used in an external magnetic field of 145 gauss or less.

This is equivalent to a magnetic field from a welding unit using a welding current of about 15,000 amperes, at a radius of approximately 18cm. When operating in a magnetic field greater than this, the sensor unit should be shielded with a magnetic material.

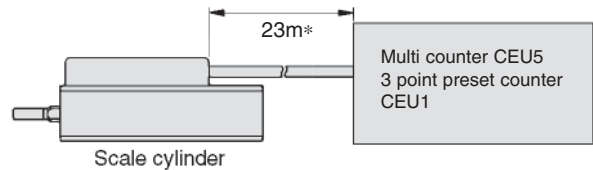
- Switches or relays, etc. should not be installed in the power supply line (12 to 24VDC).

## Effects of Noise

### Caution

When the scale cylinder is used near a motor, welding machine or other source of noise generation, there is a possibility of miscounting. In this case, noise should be suppressed as much as possible and the following countermeasures should be taken.

- Connect the shield wire to FG (frame ground).
- The maximum transmission distance for the scale cylinder is 23m, but since the output signal is a pulse output, the sensor cable should be wired separately from other power lines.

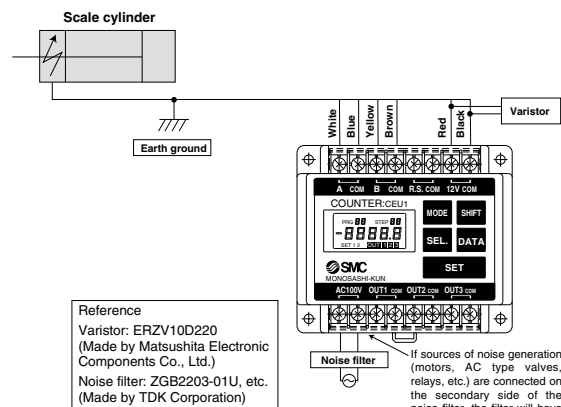


\* When using SMC extension cable and counter.

## Noise Countermeasures for the Scale Cylinder

Methods of dealing with noise are given below.

- Connect only the shield wire to FG (frame ground).
- Use a power source separate from large motors and AC type valves, etc.
- Run the scale cylinder's cable away from other power lines.
- Install a noise filter in the 100VAC power line, and install a varistor in the DC power supply of the sensor cable.



If sources of noise generation (motors, AC type valves, relays, etc.) are connected on the secondary side of the noise filter, the filter will have no effect.

## <Counting speed of counter>

When the speed of the scale cylinder is greater than the counting speed of the counter, the counter will miscount.

For the CE1 (when measuring to 0.1mm), a counter should be used with a counting speed of 10kHz (kcps) or more, and for the CEP1 (when measuring to 0.01mm) using 4 times input, a counter should be used with a counting speed of 50kHz (kcps) or more.

## <Malfunction due to lurching and bounding>

When lurching or bounding occurs at the beginning or end of strokes, or due to other causes, the cylinder speed momentarily increases, and there is a possibility of exceeding the counting speed of the counter or the response speed of the sensor, thereby causing a miscount.

The product should be used under conditions such that lurching and bounding will not occur.




## Technical Data for Operation

The instruction manuals should be read before using the Series CEP1 high precision scale cylinder, CEU5 multi counter, Series CE1 scale cylinder and CEU1 3 point preset counter.



## Safety Instructions

These safety instructions are intended to prevent hazardous situations and/or equipment damage. These instructions indicate the level of potential hazard with the labels of “Caution,” “Warning” or “Danger.” They are all important notes for safety and must be followed in addition to International Standards (ISO/IEC)\*1), and other safety regulations.

-  **Caution:** Caution indicates a hazard with a low level of risk which, if not avoided, could result in minor or moderate injury.
-  **Warning:** Warning indicates a hazard with a medium level of risk which, if not avoided, could result in death or serious injury.
-  **Danger:** Danger indicates a hazard with a high level of risk which, if not avoided, will result in death or serious injury.

- \*1) ISO 4414: Pneumatic fluid power – General rules relating to systems.
- ISO 4413: Hydraulic fluid power – General rules relating to systems.
- IEC 60204-1: Safety of machinery – Electrical equipment of machines. (Part 1: General requirements)
- ISO 10218-1: Manipulating industrial robots - Safety. etc.

### Warning

#### 1. The compatibility of the product is the responsibility of the person who designs the equipment or decides its specifications.

Since the product specified here is used under various operating conditions, its compatibility with specific equipment must be decided by the person who designs the equipment or decides its specifications based on necessary analysis and test results. The expected performance and safety assurance of the equipment will be the responsibility of the person who has determined its compatibility with the product. This person should also continuously review all specifications of the product referring to its latest catalogue information, with a view to giving due consideration to any possibility of equipment failure when configuring the equipment.

#### 2. Only personnel with appropriate training should operate machinery and equipment.

The product specified here may become unsafe if handled incorrectly. The assembly, operation and maintenance of machines or equipment including our products must be performed by an operator who is appropriately trained and experienced.

#### 3. Do not service or attempt to remove product and machinery/equipment until safety is confirmed.

1. The inspection and maintenance of machinery/equipment should only be performed after measures to prevent falling or runaway of the driven objects have been confirmed.
2. When the product is to be removed, confirm that the safety measures as mentioned above are implemented and the power from any appropriate source is cut, and read and understand the specific product precautions of all relevant products carefully.
3. Before machinery/equipment is restarted, take measures to prevent unexpected operation and malfunction.

#### 4. Contact SMC beforehand and take special consideration of safety measures if the product is to be used in any of the following conditions.

1. Conditions and environments outside of the given specifications, or use outdoors or in a place exposed to direct sunlight.
2. Installation on equipment in conjunction with atomic energy, railways, air navigation, space, shipping, vehicles, military, medical treatment, combustion and recreation, or equipment in contact with food and beverages, emergency stop circuits, clutch and brake circuits in press applications, safety equipment or other applications unsuitable for the standard specifications described in the product catalogue.
3. An application which could have negative effects on people, property, or animals requiring special safety analysis.
4. Use in an interlock circuit, which requires the provision of double interlock for possible failure by using a mechanical protective function, and periodical checks to confirm proper operation.

## Limited warranty and Disclaimer/ Compliance Requirements

The product used is subject to the following “Limited warranty and Disclaimer” and “Compliance Requirements”. Read and accept them before using the product.

### Limited warranty and Disclaimer

1. The warranty period of the product is 1 year in service or 1.5 years after the product is delivered, whichever is first.\*2) Also, the product may have specified durability, running distance or replacement parts. Please consult your nearest sales branch.
2. For any failure or damage reported within the warranty period which is clearly our responsibility, a replacement product or necessary parts will be provided. This limited warranty applies only to our product independently, and not to any other damage incurred due to the failure of the product.
3. Prior to using SMC products, please read and understand the warranty terms and disclaimers noted in the specified catalogue for the particular products.

\*2) Vacuum pads are excluded from this 1 year warranty. A vacuum pad is a consumable part, so it is warranted for a year after it is delivered. Also, even within the warranty period, the wear of a product due to the use of the vacuum pad or failure due to the deterioration of rubber material are not covered by the limited warranty.

### Compliance Requirements

1. The use of SMC products with production equipment for the manufacture of weapons of mass destruction (WMD) or any other weapon is strictly prohibited.
2. The exports of SMC products or technology from one country to another are governed by the relevant security laws and regulations of the countries involved in the transaction. Prior to the shipment of a SMC product to another country, assure that all local rules governing that export are known and followed.

### Caution

#### 1. The product is provided for use in manufacturing industries.

The product herein described is basically provided for peaceful use in manufacturing industries.

If considering using the product in other industries, consult SMC beforehand and exchange specifications or a contract if necessary.

If anything is unclear, contact your nearest sales branch.

### Caution

#### SMC products are not intended for use as instruments for legal metrology.

Measurement instruments that SMC manufactures or sells have not been qualified by type approval tests relevant to the metrology (measurement) laws of each country. Therefore, SMC products cannot be used for business or certification ordained by the metrology (measurement) laws of each country.

## Safety Instructions

Be sure to read “Handling Precautions for SMC Products” (M-E03-3) before using.

### SMC Corporation (Europe)

Austria	+43 (0)2262622800	www.smc.at	office@smc.at	Lithuania	+370 5 2308118	www.smclt.lt	info@smclt.lt
Belgium	+32 (0)33551464	www.smcpnematics.be	info@smcpneumatics.be	Netherlands	+31 (0)205318888	www.smcpnematics.nl	info@smcpneumatics.nl
Bulgaria	+359 (0)2807670	www.smc.bg	office@smc.bg	Norway	+47 67129020	www.smc-norge.no	post@smc-norge.no
Croatia	+385 (0)13707288	www.smc.hr	office@smc.hr	Poland	+48 222119600	www.smc.pl	office@smc.pl
Czech Republic	+420 541424611	www.smc.cz	office@smc.cz	Portugal	+351 226166570	www.smc.eu	postpt@smc.smces.es
Denmark	+45 70252900	www.smcdk.com	smc@smcdk.com	Romania	+40 213205111	www.smcromania.ro	smcromania@smcromania.ro
Estonia	+372 6510370	www.smcpnematics.ee	smc@smcpneumatics.ee	Russia	+7 8127185445	www.smc-pneumatik.ru	info@smc-pneumatik.ru
Finland	+358 207513513	www.smc.fi	smc@smc.fi	Slovakia	+421 (0)413213212	www.smc.sk	office@smc.sk
France	+33 (0)164761000	www.smc-france.fr	info@smc-france.fr	Slovenia	+386 (0)73885412	www.smc.si	office@smc.si
Germany	+49 (0)61034020	www.smc.de	info@smc.de	Spain	+34 902184100	www.smc.eu	post@smc.smces.es
Greece	+30 210 2717265	www.smchellas.gr	sales@smchellas.gr	Sweden	+46 (0)86031200	www.smc.nu	post@smc.nu
Hungary	+36 23513000	www.smc.hu	office@smc.hu	Switzerland	+41 (0)523963131	www.smc.ch	info@smc.ch
Ireland	+353 (0)14039000	www.smcpnematics.ie	sales@smcpneumatics.ie	Turkey	+90 212 489 0 440	www.smcpnomatik.com.tr	info@smcpnomatik.com.tr
Italy	+39 0292711	www.smcitalia.it	mailbox@smcitalia.it	UK	+44 (0)845 121 5122	www.smcpnematics.co.uk	sales@smcpneumatics.co.uk
Latvia	+371 67817700	www.smclv.lv	info@smclv.lv				

SMC CORPORATION Akihbara UDX 15F, 4-14-1, Sotokanda, Chiyoda-ku, Tokyo 101-0021, JAPAN Phone: 03-5207-8249 FAX: 03-5298-5362