



FULL FLOW GAS BALL VALVES: LONDON

066 London ball valve, full flow

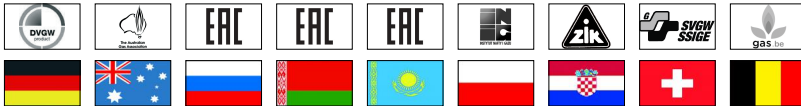
LONDON

EN331 APPROVED (up to 2").



SIZE	PRESSURE	CODE	PACKING
1/4" (DN 8)	5bar/72.5psi	066B014	12/144
3/8" (DN 10)	5bar/72.5psi	066B038	12/144
1/2" (DN 15)	5bar/72.5psi	066B012	10/90
3/4" (DN 20)	5bar/72.5psi	066B034	8/64
1" (DN 25)	5bar/72.5psi	066B100	6/48
1"1/4 (DN 32)	5bar/72.5psi	066B114	3/24
1"1/2 (DN 40)	5bar/72.5psi	066B112	2/10
2" (DN 50)	5bar/72.5psi	066B200	2/10
2"1/2 (DN 65)	18bar/261psi	1200212G	1/5
3" (DN 80)	16bar/232psi	1200300G	1/3
4" (DN 100)	14bar/203psi	1200400G	1/2

CERTIFICATIONS



TECHNICAL SPECIFICATIONS

Female/female threads.

Body in nickel-plated brass.

Lever handle in steel (aluminium in the sizes 2"1/2, 3" and 4").

Minimum and maximum working temperatures: -20°C, 60°C.

Female threads:

- ISO 7/1 Rp parallel (equivalent to DIN EN 10226-1 and BS EN 10226-1) sizes 1/4" through 2".

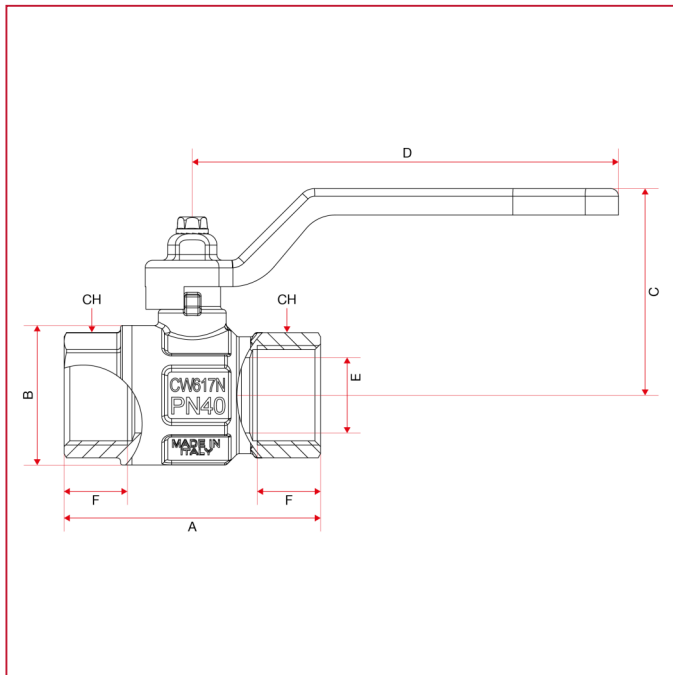
- ISO228 (equivalent to DIN EN ISO 228 and BS EN ISO 228) sizes 2"1/2, 3" and 4".

EN331 APPROVED (up to 2").



FULL FLOW GAS BALL VALVES: LONDON

OVERALL DIMENSIONS



	1/4"	3/8"	1/2"	3/4"	1"	1"1/4	1"1/2	2"	2"1/2	3"	4"
DN	8	10	15	20	25	32	40	50	65	80	100
A	49,5	52,4	61	68	85	99,5	109	130	148	168	204
B	23,5	24	30,5	37	45,5	58	71	85	122	142	180
C	37,3	37,3	48,8	54,8	56,8	75	90,3	97,3	126,75	135,75	153,75
D	80	80	88,5	113	113	138	157,8	157,8	250	250	250
E	10	10	15	20	25	32	40	50	65	80	100
F	11	11,4	15	16,3	19,1	21,4	21,4	25,7	25	27,5	30
CH	18	21	25	31	38	47	54	66			
Kg/cm ² bar	5	5	5	5	5	5	5	5	18	16	14
LBS - psi	72,5	72,5	72,5	72,5	72,5	72,5	72,5	72,5	261	232	203