

## Check Valves For Air/Water

**INA-14-□**

**XTO-674-□□**

### Made to order variations

■ Body material: Brass/Stainless steel (Main parts: Stainless steel)

■ Low cracking pressure: 0.01 MPa

■ High temperature: 80°C

Low temperature: -30°C

■ Rubber material: NBR/FKM/CR



### Specifications/Models

Model	Port size	Specifications				Fluid	Operating temperature range [°C]	Minimum operating pressure [MPa]	Application	
		All stainless steel	Low cracking pressure 0.01 MPa	Main parts: Stainless steel	Rubber material					
INA-14-290	01: Rc 1/8			●	NBR	Air/Water	-5 to 60	0.02		
INA-14-47-□	02: Rc 1/4 03: Rc 3/8 04: Rc 1/2	●			NBR	Air/Water	-5 to 60	0.05	Anti-corrosion	
INA-14-85-□		●			FKM	Air/Water	-5 to 80	0.05	Anti-corrosion	
XTO-674-□					NBR	Air	-5 to 60	0.05	Standard	
XTO-674-□A				●	NBR	Air/Water	-5 to 60	0.05	For water	
XTO-674-□E				●	NBR	Air	-5 to 60	0.01	For vacuum, oscillation measures	
XTO-674-□H					FKM	Air	-5 to 80	0.05	For high temperature	
XTO-674-□L					CR	Air	-30 to 60	0.05	For low temperature	
XTO-674-□AE				●	●	NBR	Air/Water	-5 to 60	0.01	
XTO-674-□AH					●	FKM	Air/Water	-5 to 80	0.05	
XTO-674-□AL					●	CR	Air	-30 to 60	0.05	
XTO-674-□EH				●		FKM	Air	-5 to 80	0.01	
XTO-674-□EL				●		CR	Air	-30 to 60	0.01	
XTO-674-□AEH				●	●	FKM	Air/Water	-5 to 80	0.01	
XTO-674-□AEL				●	●	CR	Air	-30 to 60	0.01	

# INA-14-□/XTO-674-□□

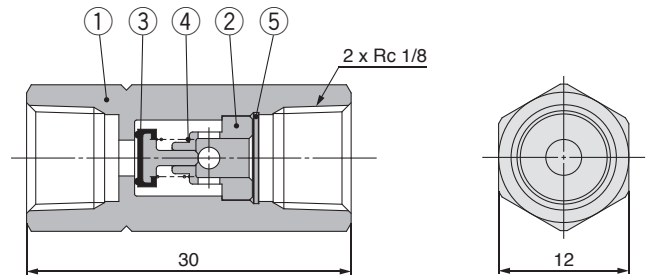
## INA-14-290 (Body material: Brass)



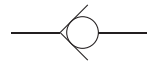
### Specifications

Fluid	Air/Water
Proof pressure	1.5 MPa
Operating pressure range	0.02 to 1 MPa
Ambient and fluid temperature	-5 to 60°C (No freezing)
Port size	2 x Rc 1/8
Sonic conductance	1.25 dm <sup>3</sup> /(s·bar)
Critical pressure ratio	0.45

### Construction/Dimensions



### JIS Symbol



Weight: 20 g

### Component Parts

No.	Description	Material	Note
1	Body	Brass	Electroless nickel plating
2	Guide	Brass	Electroless nickel plating
3	Valve	Stainless steel 303, NBR	
4	Spring	Stainless steel 304	
5	Basic internal retaining ring	Stainless steel 304	

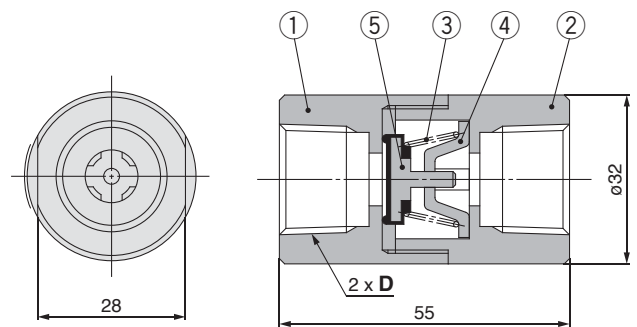
## INA-14-□ (All stainless steel)



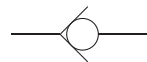
### Specifications

Model		INA-14-47	INA-14-85
Fluid		Air/Water	
Operating pressure range		0.05 to 1 MPa	
Proof pressure		1.5 MPa	
Ambient and fluid temperature		-5 to 60°C (No freezing)	-5 to 80°C (No freezing)
Valve seal material		NBR	FKM
Port size		Rc 1/4, Rc 3/8, Rc 1/2	
Sonic conductance	Rc 1/4	9.5 dm <sup>3</sup> /(s·bar)	
	Rc 3/8, Rc 1/2	10.5 dm <sup>3</sup> /(s·bar)	
Critical pressure ratio		0.45	

### Construction/Dimensions



### JIS Symbol



### How to Order

INA-14-47-02

Series	
47	Seal material: NBR
85	Seal material: FKM

Port size	
02	Rc 1/4
03	Rc 3/8
04	Rc 1/2

Part no.		D	Weight (g)
INA-14-47-02	INA-14-85-02	Rc 1/4	260
INA-14-47-03	INA-14-85-03	Rc 3/8	240
INA-14-47-04	INA-14-85-04	Rc 1/2	210

### Component Parts

No.	Description	Material
1	Body A	Stainless steel 303
2	Body B	Stainless steel 303
3	Check valve spring	Stainless steel 304
4	Stopper	Stainless steel 304
5	Valve	INA-14-47 type Stainless steel 303, NBR
		INA-14-85 type Stainless steel 303, FKM



## XTO-674-□□ (Body material: Brass)

### Specifications

Model		XTO-674-□	XTO-674-□A	XTO-674-□E	XTO-674-□H	XTO-674-□L
Fluid		Air	Air/Water	Air		
Proof pressure		1.5 MPa				
Operating pressure range		0.05 to 1 MPa		0.01 to 1 MPa	0.05 to 1 MPa	
Ambient and fluid temperature		-5 to 60°C (No freezing)			-5 to 80°C (No freezing)	-30 to 60°C (No freezing)
Port size		Rc 1/4, Rc 3/8, Rc 1/2				
Sonic conductance	Rc 1/4	9.5 dm <sup>3</sup> /(s·bar)				
	Rc 3/8, Rc 1/2	10.5 dm <sup>3</sup> /(s·bar)				
Critical pressure ratio		0.45				

Note) Refer to "Specifications/Models" on page 1 for combinations of each option.

### How to Order

**XTO-674-02** □

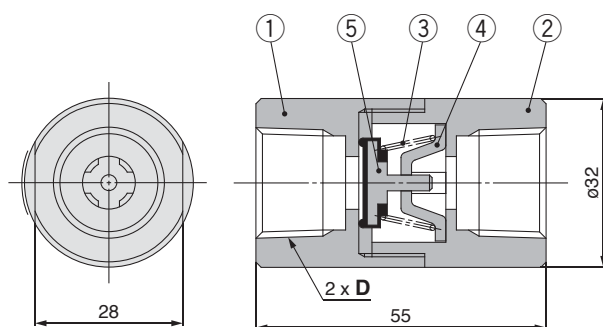
Port size	
02	Rc 1/4
03	Rc 3/8
04	Rc 1/2

Symbol	Specifications	Operating temperature range	Minimum operating pressure
Nil	Standard	-5 to 60°C	0.05 MPa
A	Main parts: Stainless steel (For water)	-5 to 60°C	0.05 MPa
E	Low cracking pressure	-5 to 60°C	0.01 MPa
H	High temperature	-5 to 80°C	0.05 MPa
L	Low temperature	-30 to 60°C	0.05 MPa

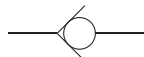
Note 1) A combination of H and L is not possible.

Note 2) Refer to "Specifications/Models" on page 1 for combinations of each option.

### Construction/Dimensions



#### JIS Symbol



Part no.	D	Weight [g]
XTO-674-02□	Rc 1/4	280
XTO-674-03□	Rc 3/8	255
XTO-674-04□	Rc 1/2	225

### Component Parts

No.	Description	Material											
		Standard	A	E	H	L	AE	AH	AL	EH	EL	AEH	AEL
1	Body A	Brass											
2	Body B	Brass											
3	Check valve spring	Stainless steel 304											
4	Stopper	Steel	Stainless steel 304	Steel			Stainless steel 304			Steel	Stainless steel 304		
5	Valve		Stainless steel 303				Stainless steel 303				Stainless steel 303		
	Bracket												
	Rubber lining	NBR			FKM	CR	NBR	FKM	CR	FKM	CR	FKM	CR



### SMC Corporation (Europe)

<b>Austria</b>	☎ +43 (0)2262622800	www.smc.at	office@smc.at
<b>Belgium</b>	☎ +32 (0)33551464	www.smc-pneumatics.be	info@smc-pneumatics.be
<b>Bulgaria</b>	☎ +359 (0)2807670	www.smc.bg	office@smc.bg
<b>Croatia</b>	☎ +385 (0)13707288	www.smc.hr	office@smc.hr
<b>Czech Republic</b>	☎ +420 541424611	www.smc.cz	office@smc.cz
<b>Denmark</b>	☎ +45 70252900	www.smc.dk.com	smc@smc.dk.com
<b>Estonia</b>	☎ +372 6510370	www.smc-pneumatics.ee	smc@smc-pneumatics.ee
<b>Finland</b>	☎ +358 207513513	www.smc.fi	smc.fi@smc.fi
<b>France</b>	☎ +33 (0)164761000	www.smc-france.fr	promotion@smc-france.fr
<b>Germany</b>	☎ +49 (0)61034020	www.smc.de	info@smc.de
<b>Greece</b>	☎ +30 210 2717265	www.smchellas.gr	sales@smchellas.gr
<b>Hungary</b>	☎ +36 23511390	www.smc.hu	office@smc.hu
<b>Ireland</b>	☎ +353 (0)14039000	www.smc-pneumatics.ie	sales@smc-pneumatics.ie
<b>Italy</b>	☎ +39 0292711	www.smcitalia.it	mailbox@smcitalia.it
<b>Latvia</b>	☎ +371 67817700	www.smc.lv	info@smc.lv

<b>Lithuania</b>	☎ +370 5 2308118	www.smclt.lt	info@smclt.lt
<b>Netherlands</b>	☎ +31 (0)205318888	www.smc-pneumatics.nl	info@smc-pneumatics.nl
<b>Norway</b>	☎ +47 67129020	www.smc-norge.no	post@smc-norge.no
<b>Poland</b>	☎ +48 (0)222119616	www.smc.pl	office@smc.pl
<b>Portugal</b>	☎ +351 226166570	www.smc.eu	postpt@smc.smces.es
<b>Romania</b>	☎ +40 213205111	www.smcromania.ro	smcromania@smcromania.ro
<b>Russia</b>	☎ +7 8127185445	www.smc-pneumatik.ru	info@smc-pneumatik.ru
<b>Slovakia</b>	☎ +421 (0)413213212	www.smc.sk	office@smc.sk
<b>Slovenia</b>	☎ +386 (0)73885412	www.smc.si	office@smc.si
<b>Spain</b>	☎ +34 902184100	www.smc.eu	post@smc.smces.es
<b>Sweden</b>	☎ +46 (0)86031200	www.smc.nu	post@smc.nu
<b>Switzerland</b>	☎ +41 (0)523963131	www.smc.ch	info@smc.ch
<b>Turkey</b>	☎ +90 212 489 0 440	www.smc-pneumatik.com.tr	info@smc-pneumatik.com.tr
<b>UK</b>	☎ +44 (0)845 121 5122	www.smc-pneumatics.co.uk	sales@smc-pneumatics.co.uk