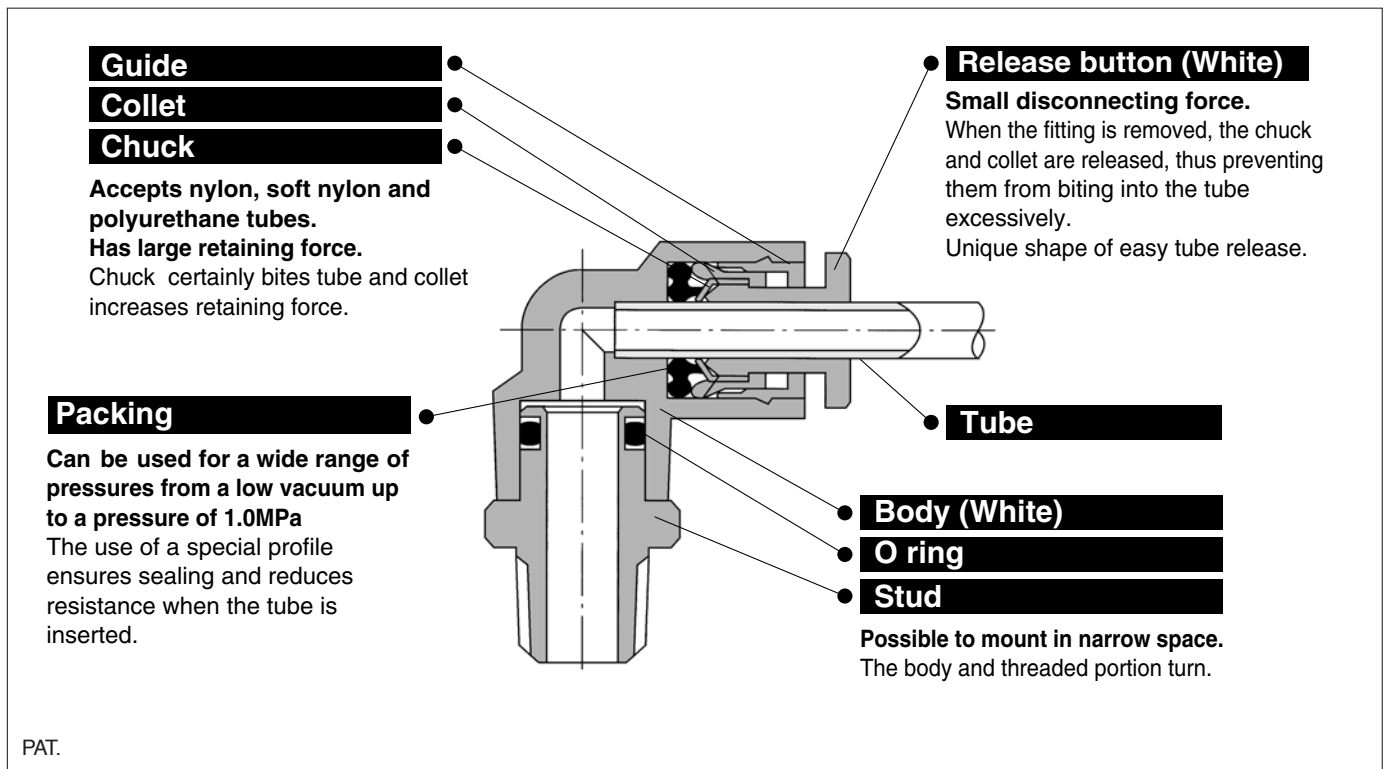


# Stainless One-touch Fittings

## Series KG



Stainless specification applicable to corrosive environments

SUS 303 stainless steel adopted for metal elements

Suitable for use in CRT production lines where contact with copper must be avoided, food processing machines where water or salt water splashes and clean room where discolouration of copper material and corrosion must be avoided.




### Applicable Tubing

Tube material	Nylon, Soft nylon, Polyurethane
Tube O.D.	ø4, ø6, ø8, ø10, ø12, ø16

### Specifications

Operating fluid		Air, Water <sup>(1)</sup>
Max. operating pressure		1.0MPa
Max. operating vacuum pressure		-100kPa
Proof pressure		3.0MPa
Ambient and fluid temperature		-5 to 60°C (Water: 0 to 40°C)(No freezing)
Thread	Thread portion	JIS B 0203 (Taper pipe thread)
	Nut	JIS B 0211 Class 2 (Metric fine thread)
Sealant (Thread portion)		With/Without sealant <sup>(2)</sup>

 Note1) Applicable for general industry water. Consult us if using for other kinds of fluid. Surge pressure must be under the max. operating pressure.  
Note2) Suffix "S" to part number if sealant is desired.

### Component Materials

Body	Stainless steel (SUS303), PBT
Stud (Thread)	Stainless steel (SUS303)
Chuck	Stainless steel (SUS304)
Guide	SUS304, Stainless steel (SUS303), POM
Collet, Release button	POM
Packing, O ring	NBR

# Stainless One-touch Fittings *Series KG*

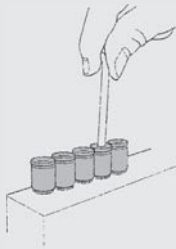
## Model

### Hexagon socket head male connector

**KGS** P.7-127



Internal hex. allows thread connection by using an hex. key wrench, for confined spaces.

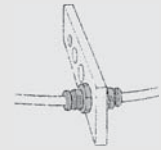


### Bulkhead union

**KGE** P.7-135

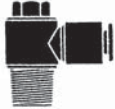


Used for junction connection of two tubes for installation of a panel.

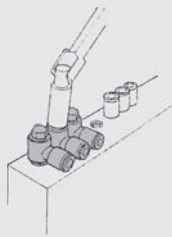


### Universal male elbow

**KGV** P.7-129



Universal male elbow allows thread connection by using a socket wrench for confined spaces.

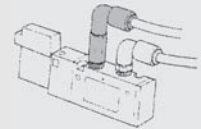


### Extended male elbow

**KGW** P.7-131



For when the elbow extends over a standard elbow for easier of connection/disconnection of tubing.

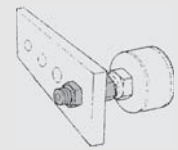


### Bulkhead connector

**KGE** P.7-135



Used for transit connection of a tube and a male screw for installation of a panel.



### Male connector

**KGH** P.7-127



Used to pipe in the same direction from female threaded portion. Most common style.

### Male elbow

**KGL** P.7-128



Used to pipe in right angle to female threaded portion. Most common style.

### Branch tee

**KGT** P.7-131



Used to branch line from female thread in both 90° directions.

### Female connector

**KGF** P.7-128



Used to pipe from the male threaded portion such as a pressure gage.

### Union elbow

**KGL** P.7-130



Used to connect tubes at right angles.

### Union tee

**KGT** P.7-131



Used to connect tubes in both 90° directions.

### Straight union

**KGH** P.7-128



Used to connect tubes in the same direction.

### Plug-in elbow

**KGL** P.7-130



Used to change by 90° in a tube fetching direction from One-touch fittings.

### Different dia. tee

**KGT** P.7-132



Used to connect tubes with size down in both 90° directions.

### Different dia. straight

**KGH** P.7-128



Used to connect different size tubes.

### Male delta

**KGD** P.7-132



Used for two branch piping at right angles from female thread.

### Male run tee

**KGY** P.7-132



Used for a branch line in the same direction from female thread and in 90° directions.

### Male branch connector

**KGLU** P.7-129



Used for connection at right angles from the female thread.

### Delta

**KGD** P.7-133



Used for three branch connections of tubes at right angles.

### Different dia. double union "Y"

**KGUD** P.7-134



Used for four branch connections in the same direction, reducing the size of the tubes.

### Branch union elbow

**KGLU** P.7-130



Used for connection of tubes at right angles.

### Double branch

**KGUD** P.7-133



Used for four branch piping in the same direction from the female thread.

### Union "Y"

**KGU** P.7-134



Used to connect tubes in the same direction.

## Model

### Different dia. union "Y"

**KGU** P.7-134



Used to connect tubes with size down in the same direction

### Plug-in reducer

**KGR** P.7-134



Used to change size of One-touch fittings.

### Tube cap

**KGC** PP.7-135



Used to plug the unused tube.

### Branch "Y"

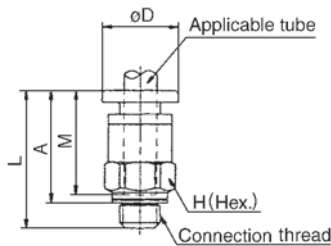
**KGU** P.7-133



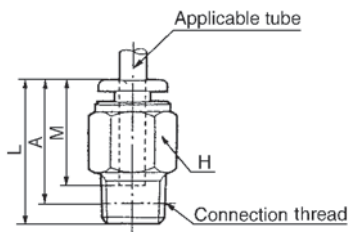
Used to branch line in the same direction from female thread.

## Male connector: KGH

<M5>



<R(PT)>



Tube O.D. (mm)	Connection thread R(PT)	Part No.	H (Hex.)	$\phi D^{(1)}$	L	A*	M	Effective area (mm <sup>2</sup> ) <sup>(2)</sup>		Weight (g)
								Nylon	Urethane	
4	M5	KGH04-M5	8	8	17	13.9	12.7	4	4	2.4
	1/8	KGH04-01	10	—	21.1	18	16	5.6	4	9
	1/4	KGH04-02	14	—	19	13.5	16	5.6	4	16
6	M5	KGH06-M5	10	10	17.8	14.7	13.5	4	4	3.4
	1/8	KGH06-01	12	—	21.6	18.5	17	13.1	10.4	16
	1/4	KGH06-02	14	—	22.5	17	17	13.1	10.4	14
8	3/8	KGH06-03	17	—	20.9	15.5	17	13.1	10.4	27
	1/8	KGH08-01	14	—	27.1	24	18.5	26.1	18.0	21
	1/4	KGH08-02	14	—	26	20.5	18.5	26.1	18.0	19
10	3/8	KGH08-03	17	—	20.9	15.5	18.5	26.1	18.0	26
	1/8	KGH10-01	17	—	29.1	26	21	41.5	29.5	19
	1/4	KGH10-02	17	—	33	27.5	21	41.5	29.5	30
12	3/8	KGH10-03	22	—	27.9	22.5	21	41.5	29.5	30
	1/2	KGH10-04	22	—	26.1	19	22	58.3	46.1	53
	1/4	KGH12-02	19	—	34	28.5	22	58.3	46.1	42
16	3/8	KGH12-03	22	—	28.9	23.5	22	58.3	46.1	34
	1/2	KGH12-04	24	—	29.1	22	24	81	(81)	51
	3/8	KGH16-03	24	—	38.4	32	24	81	(81)	61
	1/2	KGH16-04	24	—	33.6	26.5	24	113	(96)	47

\* Reference dimensions after R(PT) thread installation.

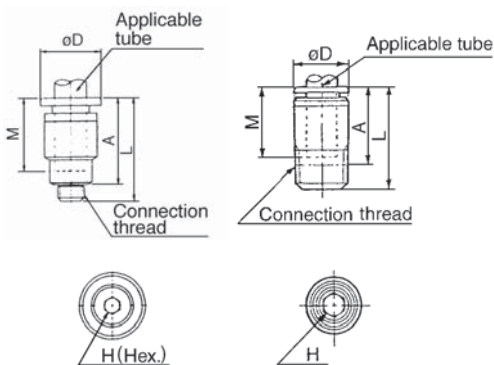
Note1)  $\phi D$ : max. diameter

Note2) ( ): Values for soft nylon.

## Hexagon socket head male connector: KGS

<M5>

<R(PT)>



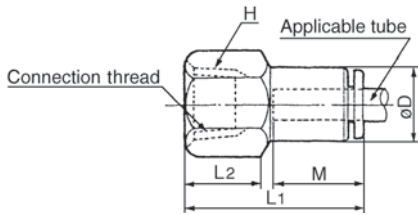
Tube O.D. (mm)	Connection thread R(PT)	Part No.	H (Hex.)	$\phi D^{(1)}$	L	A*	M	Effective area (mm <sup>2</sup> )		Weight (g)
								Nylon	Urethane	
4	M5	KGS04-M5	2.5	8	18.7	15.6	12.7	4	4	2.6
	1/8	KGS04-01	3	9.8	22.1	19	16	4.1	3.6	8
6	M5	KGS06-M5	2.5	10	19.5	16.4	13.5	4	4	3.2
	1/8	KGS06-01	4	11.8	23.1	20	17	10.0	9.9	9
	1/4	KGS06-02	4	13.8	23.5	20	17	10.7	10.0	15
8	1/8	KGS08-01	5	14	27.1	24	18.5	17.2	16.2	12
	1/4	KGS08-02	6	14	25	19.5	18.5	23.3	16.2	11
	3/8	KGS08-03	6	17	26.4	21	18.5	23.3	16.2	24
10	1/8	KGS10-01	5	17	29.1	26	21	17.2	10.0	18
	1/4	KGS10-02	8	17	27	21.5	21	39.0	26.6	12
	3/8	KGS10-03	8	17	26.4	21	21	39.0	26.6	19
	1/2	KGS10-04	8	22	27.1	20	21	39.0	26.6	35
12	1/4	KGS12-02	8	19	33	27.5	22	46.0	44.5	23
	3/8	KGS12-03	10	19	27.9	22.5	22	46.0	44.5	18
	1/2	KGS12-04	10	22	27.1	20	22	60.0	44.5	30

\* Reference dimensions after R(PT) thread installation.

Note1)  $\phi D$ : max. diameter

# Stainless One-touch Fittings *Series KG*

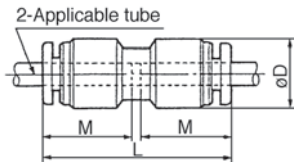
## Female connector: KGF



Tube O.D. (mm)	Connection thread R(PT)	Part No.	H (Hex.)	øD <sup>(1)</sup>	L1	L2	M	Effective area (mm <sup>2</sup> )		Weight (g)
								Nylon	Urethane	
4	1/8	KGF04-01	14	10	27	11	16	5.6	4	15
	1/4	KGF04-02	17		31	14				23
6	1/8	KGF06-01	14	12	27.5	11	17	13.1	10.4	15
	1/4	KGF06-02	17		31	13				22
	3/8	KGF06-03	19		33.5	15				25
8	1/8	KGF08-01	14	14	29	11	18.5	26.1	18.0	17
	1/4	KGF08-02	17		32.5	13				24
	3/8	KGF08-03	19		33.5	14				24
10	1/4	KGF10-02	17	17	34.5	14	21	41.5	29.5	27
	3/8	KGF10-03	19		36.5	15				30
12	1/4	KGF12-02	19	19	35	14	22	58.3	46.1	36
	3/8	KGF12-03	19		37					31
	1/2	KGF12-04	24		41					18

□ Reference dimensions after R(PT) thread installation.  
Note1) øD: max. diameter

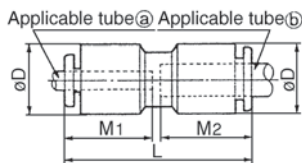
## Straight union: KGH



Tube O.D. (mm)	Part No.	øD <sup>(1)</sup>	L	M	Effective area (mm <sup>2</sup> )		Weight (g)
					Nylon	Urethane	
4	KGH04-00	10.4	32.5	16	5.6	4	3
6	KGH06-00	12.8	34.5	17	13.1	10.4	4
8	KGH08-00	15.2	38.5	18.5	26.1	18.0	6
10	KGH10-00	18.5	42.5	21	41.5	29.5	11
12	KGH12-00	20.9	44.5	22	58.3	46.1	14

□ Note1) øD: max. diameter

## Different dia. straight: KGH

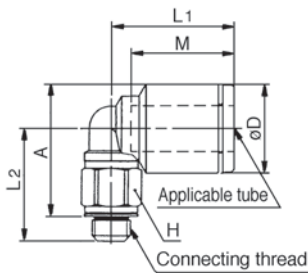


Tube O.D. (mm)		Part No.	øD <sup>(1)</sup>	L	M1	M2	Effective area (mm <sup>2</sup> )		Weight (g)
a	b						Nylon	Urethane	
4	6	KGH04-06	12.8	34.5	16	17	5.6	4	5
6	8	KGH06-08	15.2	38.5	17	18.5	13.1	10.4	6
8	10	KGH08-10	18.5	42	18.5	21	26.1	18.0	11
10	12	KGH10-12	20.9	44.5	21	22	41.5	29.5	14

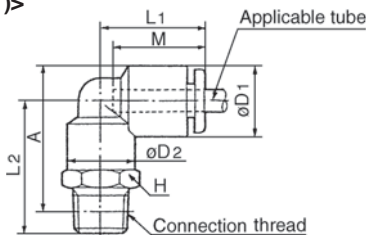
□ Note1) øD: max. diameter

## Male elbow: KGL

<M5>

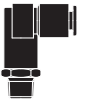


<R(PT)>



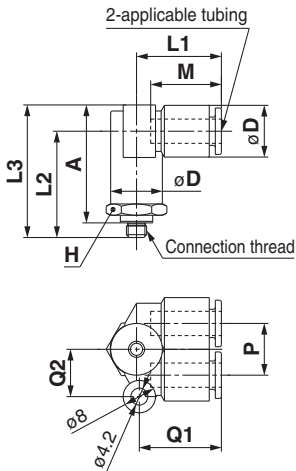
Tube O.D. (mm)	Connection thread R(PT)	Part No.	H (Hex.)	D <sup>(1)</sup>	D2	L1	L2	A*	M	Effective area (mm <sup>2</sup> ) <sup>(2)</sup>		Weight (g)
										Nylon	Urethane	
4	M5	KGL04-M5	7	9.3	—	15.6	13.7	15.3	12.7	3.5	3.5	2.7
	1/8	KGL04-01	10	10.4	10	18	21.1	23	16	4.2	4.2	10
	1/4	KGL04-02	14				25.5	25				19
6	M5	KGL06-M5	7	11.6	—	16.1	14.7	17.4	13.5	3.5	3.5	3.1
	1/8	KGL06-01	10	12.8	10	20	22.1	25.5	17	11.4	9.0	12
	1/4	KGL06-02	14				26.5	27.5				10
	3/8	KGL06-03	17	27.9	29	33						
8	1/8	KGL08-01	12	15.2	12	23	23.6	28	18.5	21.6	14.9	13
	1/4	KGL08-02	14				28	30				21
	3/8	KGL08-03	17				29.4	31.5				35
10	1/8	KGL10-01	17	18.5	17	26.5	26.1	32	21	21.6	14.9	25
	1/4	KGL10-02	17				29.5	33				26
	3/8	KGL10-03	17				30.9	34.5		36		
	1/2	KGL10-04	22				35.1	37		63		
12	1/4	KGL12-02	17	20.9	17	28.5	30.5	35.5	22	50.2	39.7	28
	3/8	KGL12-03	17				31.9	37				38
	1/2	KGL12-04	22				36.1	39.5				65
16	3/8	KGL16-03	22	26.5	21	33	36.9	44.5	24	71	(71)	101
	1/2	KGL16-04	22				40.1	46		100	(84)	105

\* Reference dimensions after R(PT) thread installation.  
Note1) ( ): Values for soft nylon.  
Note2) øD1: max. diameter



## Male branch connector: KGLU

<M5>

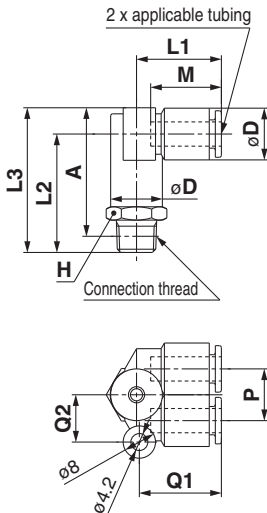


Tube O.D. (mm)	Connection thread R(PT)	Part No.	H (Hex.)	øD <sup>(1)</sup>	L1	L2	L3	A*	M	P	Q1	Q2	Effective area (mm <sup>2</sup> )		Weight (g)			
													Nylon	Urethane				
4	M5	KGLU04-M5	11	10.4	18.5	24	29.5	25.5	16	10.4	18.5	10	4.3	4.1	10			
	1/8	KGLU04-01	14										25.6	31.1	27.5	6.0	4.1	12
	1/4	KGLU04-02	14										30	35.5	30	21		
6	M5	KGLU06-M5	13	12.8	21	26.5	33	29.5	17	12.8	20.5	12	4.3	4.3	13			
	1/8	KGLU06-01	13										28.6	35.1	32	15		
	1/4	KGLU06-02	14										32.5	39	33.5	22		
	3/8	KGLU06-03	17										33.9	40.4	35	35		
8	1/8	KGLU08-01	17	15.2	24	33.1	40.6	38	18.5	15.2	24.5	14	26.3	18.2	27			
	1/4	KGLU08-02													36.5	44	38.5	35
	3/8	KGLU08-03													36.9	44.4	39	35
10	1/4	KGLU10-02	19	18.5	27	39.5	49	43.5	21	18.5	28	16	40.8	29.0	41			
	3/8	KGLU10-03													39.9	49.4	44	42
	1/2	KGLU10-04													43.6	53.1	45.5	64
12	1/4	KGLU12-02	22	20.9	29	42	52.5	47	22	20.9	30	18	57.2	45.2	57			
	3/8	KGLU12-03													42.4	52.9	47.5	58
	1/2	KGLU12-04													45.6	56.1	49	65

\* Reference dimensions after R(PT) thread installation.  
Note1) øD: max. diameter

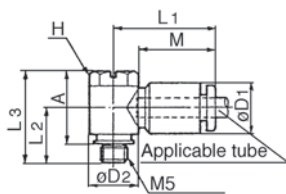


<R(PT)>



## Universal male elbow: KGV

<M5>

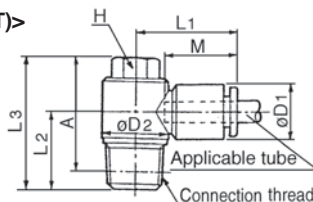


Tube O.D. (mm)	Connection thread R(PT)	Part No.	H (Hex.)	øD <sup>(1)</sup>	øD2	L1	L2	L3	A*	M	Effective area (mm <sup>2</sup> )		Weight (g)					
											Nylon	Urethane						
4	M5	KGV04-M5	8	10.4	9.8	20.5	11	18.5	15	16	2.9	2.9	6					
	1/8	KGV04-01											13.4	22	13.6	25.6	22.5	14
6	M5	KGV06-M5	8	12.8	9.8	23.5	12	18.5	15	17	3.8	3.8	7					
	1/8	KGV06-01											13.4	24	13.6	25.6	22.5	15
	1/4	KGV06-02											10	15.3	23.5	18	30.5	25
8	1/8	KGV08-01	12	15.2	17.6	28.5	14.6	27.6	24.5	18.5	16	11.2	24					
	1/4	KGV08-02											18	31	25.5	30	30	
	3/8	KGV08-03											14	20.6	27.5	19.4	35.4	30
10	1/4	KGV10-02	14	18.5	20.6	31	19	35	29.5	21	27	20.3	40					
	3/8	KGV10-03											19.4	35.4	30	49		
12	3/8	KGV12-03	17	20.9	25.2	34	20.9	37.4	32	22	39	30.8	63					
	1/2	KGV12-04											24.1	40.6	33.5	80		

\* Reference dimensions after R(PT) thread installation.  
Note1) øD1: max. diameter



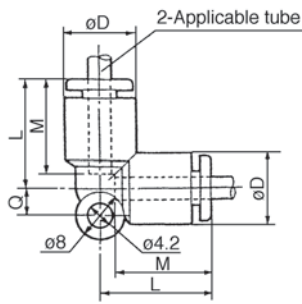
<R(PT)>



# Stainless One-touch Fittings *Series KG*



## Union elbow: KGL

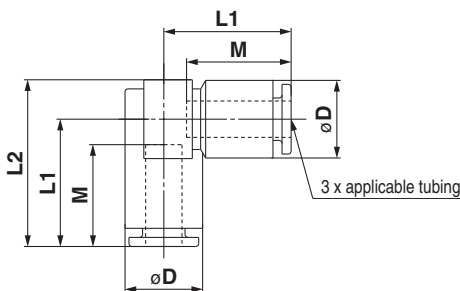


Tube O.D. (mm)	Part No.	øD <sup>(1)</sup>	L	Q	M	Effective area (mm <sup>2</sup> ) <sup>(2)</sup>		Weight (g)
						Nylon	Urethane	
4	<b>KGL04-00</b>	10.4	18	4.5	16	4.2	4.2	6
6	<b>KGL06-00</b>	12.8	20	5.3	17	11.4	9.0	6
8	<b>KGL08-00</b>	15.2	23	6	18.5	21.6	14.9	10
10	<b>KGL10-00</b>	18.5	26.5	6.8	21	35.2	25.0	17
12	<b>KGL12-00</b>	20.9	28.5	7.5	22	50.2	39.7	21
16	<b>KGL16-00</b>	26.5	34	10	25	100	(84)	29

Note1) øD: max. diameter  
Note2) ( ): Values for soft nylon.

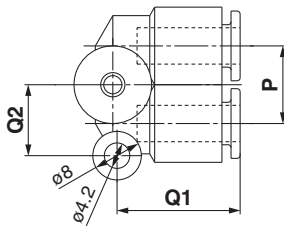


## Branch union elbow: KGLU

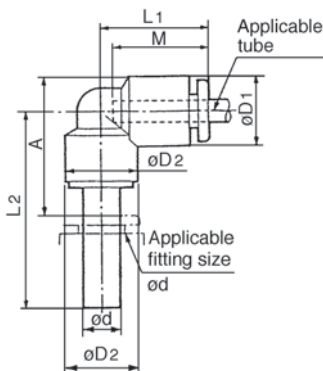


Tube O.D. (mm)	Part No.	øD <sup>(1)</sup>	L1	L2	Q1	Q2	M	P	Effective area (mm <sup>2</sup> )		Weight (g)
									Nylon	Urethane	
4	<b>KGLU04-00</b>	10.4	18.5	24	18.5	10	16	10.4	6.0	4.1	6
6	<b>KGLU06-00</b>	12.8	21	27.5	20.5	12	17	12.8	13.9	11.0	8
8	<b>KGLU08-00</b>	15.2	24	32	24.5	14	18.5	15.2	26.3	18.2	15
10	<b>KGLU10-00</b>	18.5	27	36.5	28	16	21	18.5	40.8	29.0	25
12	<b>KGLU12-00</b>	20.9	29	40	30	18	22	20.9	57.2	45.2	32

Note1) øD: max. diameter



## Plug-in elbow: KGL



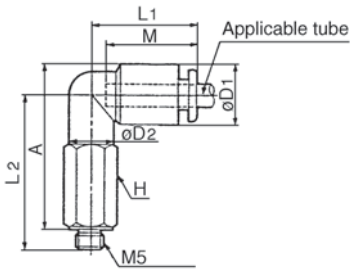
Tube O.D. (mm)	Fitting size ød	Part No.	øD <sup>(1)</sup>	øD2	L1	L2	A	M	Effective area (mm <sup>2</sup> )		Weight (g)
									Nylon	Urethane	
4	4	<b>KGL04-99</b>	10.4	8	18	25	14.5	16	4.2	4.2	8
6	6	<b>KGL06-99</b>	12.8	10	20	27.5	17	17	11.4	9.0	10
8	8	<b>KGL08-99</b>	15.2	12	22.5	31.5	21	18.5	21.6	14.9	14
10	10	<b>KGL10-99</b>	18.5	14	25.5	35.5	23.5	21	35.2	25.0	25
12	12	<b>KGL12-99</b>	20.9	16	27	37.5	26	22	50.2	39.7	28

Note1) øD1: max. diameter

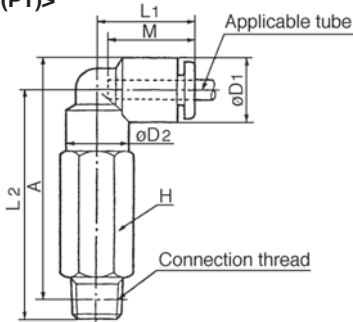


## Extended male elbow: KGW

<M5>



<R(PT)>



Tube O.D. (mm)	Connection thread R(PT)	Part No.	H (Hex.)	øD <sup>(1)</sup>	øD <sub>2</sub>	L <sub>1</sub>	L <sub>2</sub>	A*	M	Effective area (mm <sup>2</sup> )		Weight (g)		
										Nylon	Urethane			
4	M5	KGW04-M5	8	10.4	8	18	30	32	16	3.0	3.0	11		
	1/8	KGW04-01	10							36.6	38.5	23		
	1/4	KGW04-02	14							43	42.5	38		
6	M5	KGW06-M5	8	12.8	8	20	30.5	33.5	17	3.0	3.0	11		
	1/8	KGW06-01	10							39.1	42.5	26		
	1/4	KGW06-02	14							45.5	46.5	41		
	3/8	KGW06-03	17							46.9	48	67		
8	1/8	KGW08-01	12	15.2	12	23	42.6	47	18.5	20.5	14.2	30		
	1/4	KGW08-02	14									49	51	47
	3/8	KGW08-03	17									50.4	52.5	74
10	1/4	KGW10-02	17	18.5	17	26.5	56	59.5	21	33.5	23.8	66		
	3/8	KGW10-03	17									57.4	61	76
	1/2	KGW10-04	22									64.1	66	145
12	1/4	KGW12-02	17	20.9	17	28.5	57	62	22	47.7	37.7	68		
	3/8	KGW12-03	17									58.4	63.5	78
	1/2	KGW12-04	22									65.1	68.5	147

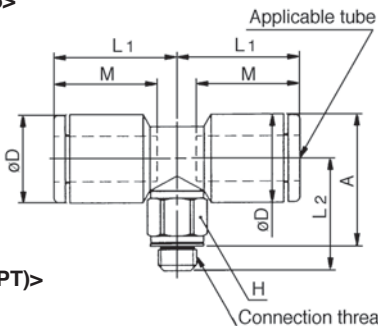
\* Reference dimensions after R(PT) thread installation.



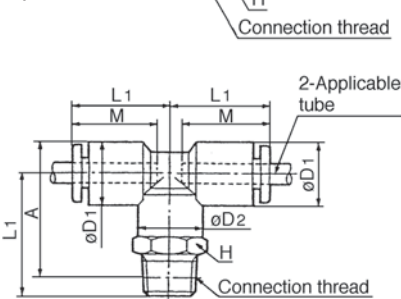
Note1) øD: max. diameter

## Branch tee: KGT

<M5>



<R(PT)>



Tube O.D. (mm)	Connection thread R(PT)	Part No.	H (Hex.)	øD <sup>(1)</sup>	øD <sub>2</sub>	L <sub>1</sub>	L <sub>2</sub>	A*	M	Effective area (mm <sup>2</sup> ) <sup>(2)</sup>		Weight (g)
										Nylon	Urethane	
4	M5	KGT04-M5	7	9.3	—	15.6	13.7	15.3	12.7	4.3	4.3	3.5
	1/8	KGT04-01	10	10.4	10	18	21.1	23	16	6.0	4.1	13
	1/4	KGT04-02	14				25.5	25				19
6	M5	KGT06-M5	7	11.6	—	16.1	14.7	17.4	13.5	4.3	4.3	4.2
	1/8	KGT06-01	10	12.8	10	20	22.1	25.5	17	13.9	11.0	12
	1/4	KGT06-02	14				26.5	27.5				20
	3/8	KGT06-03	17				27.9	29				34
1/8	KGT08-01	12	23.6				28	14				
8	1/4	KGT08-02	14	15.2	12	23	28	30	18.5	26.3	18.2	22
	3/8	KGT08-03	17				29.4	31.5				36
	1/8	KGT10-01	17				26.1	32				31
10	1/4	KGT10-02	17	18.5	17	26.5	29.5	33	21	40.8	29.0	29
	3/8	KGT10-03	17				30.9	34.5				39
	1/2	KGT10-04	22				35.1	37				66
12	1/4	KGT12-02	17	20.9	17	28.5	30.5	35.5	22	57.2	45.2	31
	3/8	KGT12-03	17				31.9	37				41
	1/2	KGT12-04	22				36.1	39.5				68
16	3/8	KGT16-03	22	26.5	20.9	34	36.9	44.5	25	71	(71)	112
	1/2	KGT16-04	22				39.6	46				116

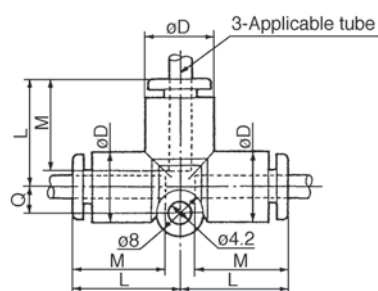
\* Reference dimensions after R(PT) thread installation.



Note1) øD: max. diameter

Note2) ( ): Values for soft nylon.

## Union tee: KGT



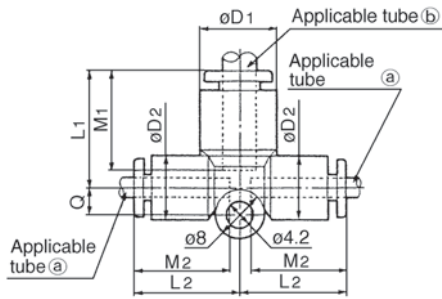
Tube O.D. (mm)	Part No.	øD <sup>(1)</sup>	L	Q	M	Effective area (mm <sup>2</sup> ) <sup>(2)</sup>		Weight (g)
						Nylon	Urethane	
4	KGT04-00	10.4	18	4.5	16	6.4	4.4	7
6	KGT06-00	12.8	20	5.3	17	13.4	10.6	10
8	KGT08-00	15.2	23	6	18.5	25.6	17.7	15
10	KGT10-00	18.5	26.5	6.8	21	40	28.4	25
12	KGT12-00	20.9	28.5	7.5	22	57.4	45.4	29
16	KGT16-00	26.5	34	10	25	100	(84)	40

Note1) øD: max. diameter

Note2) ( ): Values for soft nylon.

# Stainless One-touch Fittings Series *KG*

## Different diameter tee: KGT

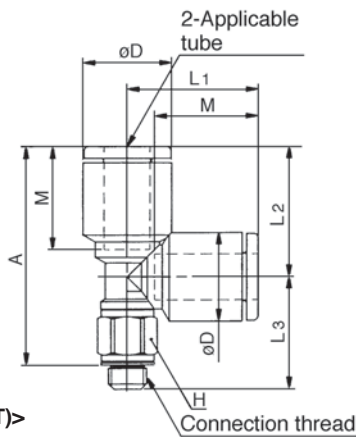


Tube O.D. (mm)		Part No.	øD <sup>(1)</sup>	øD2	L1	L2	Q	M1	M2	Effective area (mm <sup>2</sup> )		Weight (g)
a	b									Nylon	Urethane	
4	6	KGT04-06	12.8	10.4	19.5	18	4.5	17	16	7.1	6.5	5
6	8	KGT06-08	15.2	12.8	22.5	20	5.3	18.5	17	16.4	16.4	8
8	10	KGT08-10	18.5	15.2	26.5	23	6	21	18.5	36	27.2	14
10	12	KGT10-12	20.9	18.5	28.5	26.5	6.8	22	21	56	44.5	21

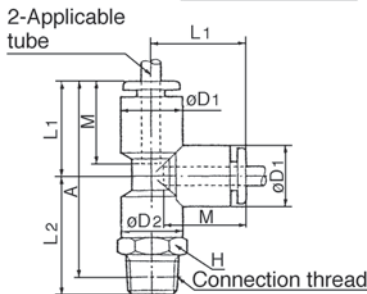
Note1) øD1: max. diameter

## Male run tee: KGY

<M5>



<R(PT)>



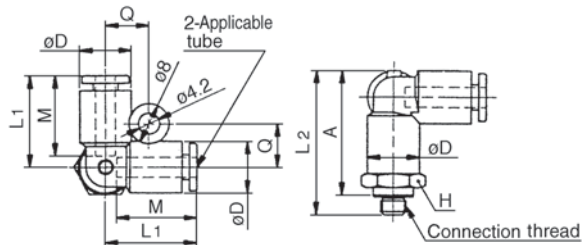
Tube O.D. (mm)	Connection thread R(PT)	Part No.	H (Hex.)	øD <sup>(1)</sup>	øD2	L1	L2	L3	A*	M	Effective area (mm <sup>2</sup> ) <sup>(2)</sup>		Weight (g)
											Nylon	Urethane	
4	M5	KGY04-M5	7	9.3	—	15.6	13.7	14.8	25.4	12.7	4.6	4.6	3.5
	1/8	KGY04-01	10	10.4	10	18	21.1	—	36	16	6.4	4.4	13
	1/4	KGY04-02	14				25.5	38	19				
6	M5	KGY06-M5	7	11.6	—	17.1	14.7	17.1	28.7	13.5	4.6	4.6	4.3
	1/8	KGY06-01	10	12.8	10	20	22.1	—	39	17	13.4	10.6	12
	1/4	KGY06-02	14				26.5	41	20				
	3/8	KGY06-03	17				27.9	42.5	34				
1/2	KGY06-04	22	35.1				54.5	66					
8	1/8	KGY08-01	12	15.2	12	23	23.6	—	43.5	18.5	13.4	10.6	14
	1/4	KGY08-02	14				28	45.5	22				
	3/8	KGY08-03	17				29.4	47	36				
10	1/8	KGY10-01	17	18.5	17	26.5	26.1	—	49.5	21	40.0	28.4	31
	1/4	KGY10-02	17				29.5	50.5	29				
	3/8	KGY10-03	17				30.9	52	39				
	1/2	KGY10-04	22				35.1	54.5	66				
12	1/4	KGY12-02	17	20.9	17	28.5	30.5	—	53.5	22	57.4	45.4	31
	3/8	KGY12-03	17				31.9	55	41				
	1/2	KGY12-04	22				36.1	57.5	68				
16	3/8	KGY16-03	22	26.5	20.9	34	36.9	—	65.5	25	81	(81)	112
	1/2	KGY16-04	22				40.1	67	113		(113)	116	

\* Reference dimensions after R(PT) thread installation.

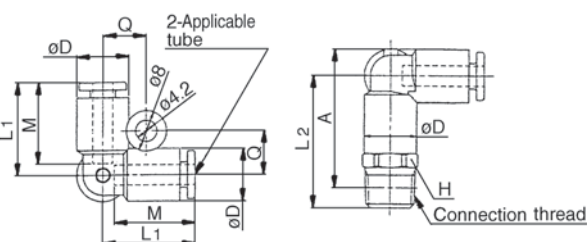
Note1) øD1: max. diameter  
Note2) ( ): Values for soft nylon.

## Male delta: KGD

<M5>



<R(PT)>



Tube O.D. (mm)	Connection thread R(PT)	Part No.	H (Hex.)	øD <sup>(1)</sup>	L1	L2	A*	M	Q	Effective area (mm <sup>2</sup> )		Weight (g)
										Nylon	Urethane	
4	M5	KGD04-M5	11	10.4	18.5	24	25.5	16	8.7	4.3	4.3	10
	1/8	KGD04-01	14			25.6	27.5			6.0	6.0	12
	1/4	KGD04-02	14			30	30			21		
6	M5	KGD06-M5	13	12.8	20.5	26	28.5	17	9.9	4.3	4.3	12
	1/8	KGD06-01	14			28.1	31.5			13.9	13.9	14
	1/4	KGD06-02	14			32	33			21		
	3/8	KGD06-03	17			33.4	34.5			34		
8	1/8	KGD08-01	17	15.2	23.5	32.6	37	18.5	11.1	26.3	18.2	26
	1/4	KGD08-02	17			36	38			35		
	3/8	KGD08-03	17			36.4	38.5			39		
10	1/4	KGD10-02	19	18.5	26.5	39	43	21	12.8	40.8	29.0	39
	3/8	KGD10-03	22			39.4	43.5			40		
	1/2	KGD10-04	22			43.1	45			62		
12	1/4	KGD12-02	22	20.9	28.5	41.5	46.5	22	13.9	57.2	45.2	55
	3/8	KGD12-03	22			41.9	47			56		
	1/2	KGD12-04	22			45.1	48.5			63		

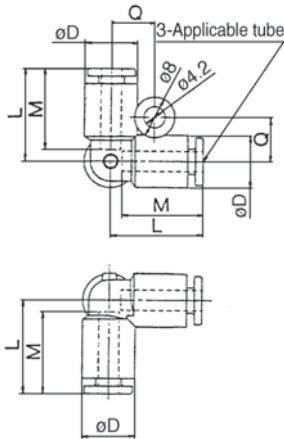
\* Reference dimensions after R(PT) thread installation.

Note1) øD: max. diameter





## Delta: KGD

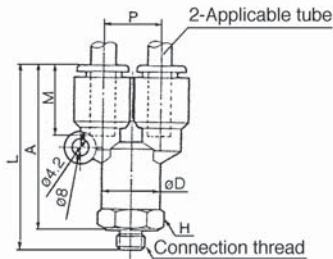


Tube O.D. (mm)	Part No.	øD <sup>(1)</sup>	L	Q	M	Effective area (mm <sup>2</sup> )		Weight (g)
						Nylon	Urethane	
4	<b>KGD04-00</b>	10.4	18.5	8.7	16	6.0	4.1	5
6	<b>KGD06-00</b>	12.8	20.5	9.9	17	13.9	11.0	7
8	<b>KGD08-00</b>	15.2	23.5	11.1	18.5	26.3	18.2	11
10	<b>KGD10-00</b>	18.5	26.5	12.8	21	40.8	29.0	19
12	<b>KGD12-00</b>	20.9	28.5	13.9	22	57.2	45.2	24

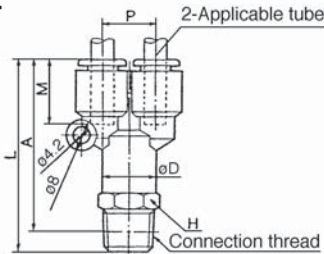
Note1) øD: max. diameter

## Branch "Y": KGU

<M5>



<R(PT)>

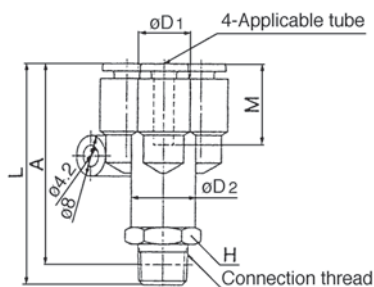


Tube O.D. (mm)	Connection thread R(PT)	Part No.	H (Hex.)	øD <sup>(1)</sup>	L	P	A*	M	Effective area (mm <sup>2</sup> )		Weight (g)		
									Nylon	Urethane			
4	M5	KGU04-M5	11	10.4	39.5	10.4	36	16	2.2	2.2	4		
	1/8	KGU04-01	41.1		38		4.2					4.2	11
	1/4	KGU04-02	45.5		40		20						
6	M5	KGU06-M5	13	12.8	42.5	12.8	39	17	2.2	2.2	12		
	1/8	KGU06-01	44.6		41.5		13.4					10.6	11
	1/4	KGU06-02	48.5		43								
	3/8	KGU06-03	49.9		44.5								
8	1/8	KGU08-01	17	15.2	51.6	15.2	48.5	18.5	25.6	17.7	15		
	1/4	KGU08-02			55		49.5				23		
	3/8	KGU08-03			55.4		50				35		
10	1/4	KGU10-02	19	18.5	60.5	18.5	55	21	40	28.4	30		
	3/8	KGU10-03			64.1		57				40	65	
	1/2	KGU10-04			64		58.5				32		
12	1/4	KGU12-02	22	20.9	64	20.9	59	22	57.4	45.4	40		
	3/8	KGU12-03			67.6		60.5				40	65	
	1/2	KGU12-04			67.6		60.5				65		

\* Reference dimensions after R(PT) thread installation.

Note1) øD: max. diameter

## Double branch: KGUD



Tube O.D. (mm)	Connection thread R(PT)	Part No.	H (Hex.)	øD <sup>(1)</sup>	øD <sub>2</sub>	L	I	A*	Q	M	P	Effective area (mm <sup>2</sup> )		Weight (g)
												Nylon	Urethane	
4	1/8	<b>KGUD04-01</b>	13	10.4	12.8	42.6	21	39.5	9.7	16	10.4	4.2	4.2	17
	1/4	<b>KGUD04-02</b>	14			46.5		41						25
6	1/8	<b>KGUD06-01</b>	17	12.8	15.2	49.6	26	46.5	11.7	17	12.8	13.4	10.6	29
	1/4	<b>KGUD06-02</b>				53		47.5						

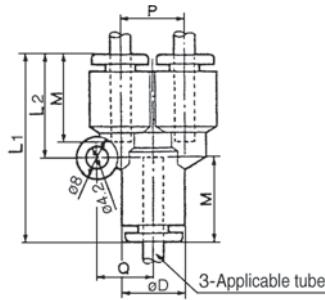
\* Reference dimensions after R(PT) thread installation.

Note1) øD: max. diameter

# Stainless One-touch Fittings *Series KG*



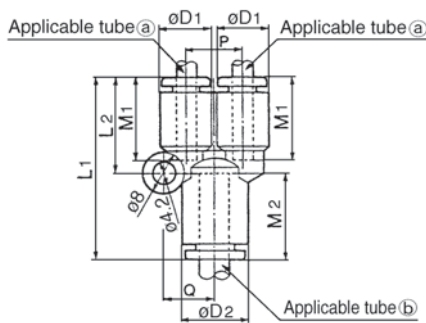
## Union "Y": KGU



Tube O.D. (mm)	Part No.	øD <sup>(1)</sup>	L1	L2	P	Q	M	Effective area (mm <sup>2</sup> )		Weight (g)
								Nylon	Urethane	
4	<b>KGU04-00</b>	10.4	34	18	10.4	9.7	16	4.2	4.2	7
6	<b>KGU06-00</b>	12.8	37	20	12.8	11.7	17	13.4	10.6	9
8	<b>KGU08-00</b>	15.2	42.5	24.5	15.2	13.7	18.5	25.6	17.7	11
10	<b>KGU10-00</b>	18.5	48	27.5	18.5	16.1	21	40	28.4	16
12	<b>KGU12-00</b>	20.9	51	30	20.9	18.1	22	57.4	45.4	23

Note1) øD: max. diameter

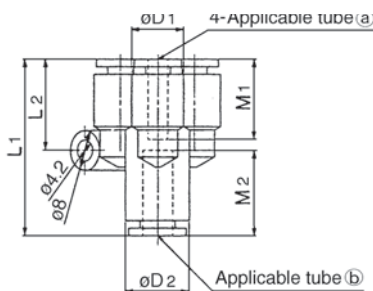
## Different diameter union "Y": KGU



Tube O.D. (mm)		Part No.	øD <sup>(1)</sup>	øD <sup>(1)</sup>	L1	L2	P	Q	M1	M2	Effective area (mm <sup>2</sup> )		Weight (g)
a	b										Nylon	Urethane	
4	6	<b>KGU04-06</b>	10.4	12.8	35	18	10.4	9.7	16	17	4.2	4.2	6
6	8	<b>KGU06-08</b>	12.8	15.2	39.5	20	12.8	11.7	17	18.5	13.4	10.6	11
8	10	<b>KGU08-10</b>	15.2	18.5	45	24.5	15.2	13.7	18.5	21	25.6	17.7	18
10	12	<b>KGU10-12</b>	18.5	20.9	49	27.5	18.5	16.1	21	22	40	28.4	27

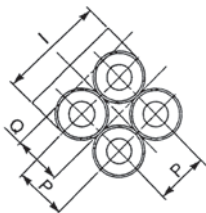
Note1) øD1, øD2: max. diameter

## Different diameter double union "Y": KGUD

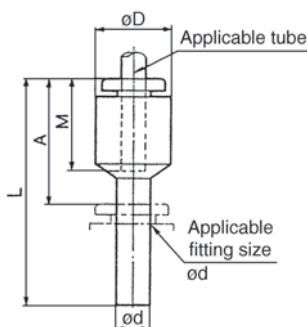


Tube O.D. (mm)		Part No.	øD <sup>(1)</sup>	øD <sup>(1)</sup>	L1	L2	P	I	Q	M1	M2	Effective area (mm <sup>2</sup> )		Weight (g)
a	b											Nylon	Urethane	
4	6	<b>KGUD04-06</b>	10.4	12.8	35.5	18.2	10.4	21	9.7	16	17	4.2	4.2	10
6	8	<b>KGUD06-08</b>	12.8	15.2	40.5	20.3	12.8	26	11.7	17	18.5	13.4	10.6	17

Note1) øD1, øD2: max. diameter



## Plug-in reducer: KGR

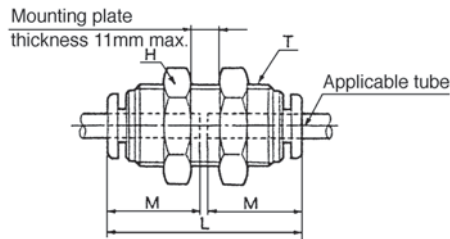


Tube O.D. (mm)	Fitting size ød	Part No.	øD <sup>(1)</sup>	L	A□	M	Effective <sup>(2)</sup> area (mm <sup>2</sup> )		Weight (g)
							Nylon	Urethane	
4	6	<b>KGR04-06</b>	10.4	34.5	17.5	16	5.6	4	1.8
	8	<b>KGR04-08</b>		36.5	18				2.0
	10	<b>KGR04-10</b>	12.8	39.5	18.5				3.3
6	4	<b>KGR06-04</b>	12.8	37	21	17	13.1	10.4	3
	8	<b>KGR06-08</b>		37	18.5				2.5
	10	<b>KGR06-10</b>	39.5		3				
	12	<b>KGR06-12</b>	15.2	42	20				4.7
8	10	<b>KGR08-10</b>	15.2	41	20	18.5	26.1	18.0	4.0
	12	<b>KGR08-12</b>		42					4.6
10	12	<b>KGR10-12</b>	17	44.5	23	21	41.5		32.8
	16	<b>KGR10-16</b>	20.9	50.5	25.5				(29.5)
12	16	<b>KGR12-16</b>	20.9	50.5	25.5	22	58.3	(46.1)	37

Note1) øD: max. diameter  
Note2) ( ): Values for soft nylon.



## Bulkhead union: KGE



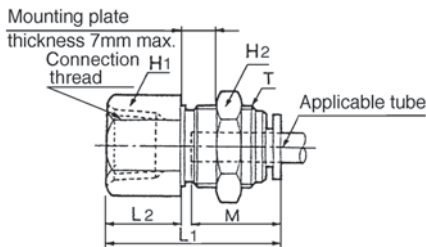
Tube O.D. (mm)	Part No.	T(M)	H (Hex.)	L	Mounting hole	M	Effective <sup>(1)</sup> area (mm <sup>2</sup> )		Weight (g)
							Nylon	Urethane	
4	<b>KGE04-00</b>	M12 X 1	14	32.5	13	16	5.6	4	26
6	<b>KGE06-00</b>	M14 X 1	17	34.5	15	17	13.1	10.4	33
8	<b>KGE08-00</b>	M16 X 1	19	38	17	18.5	26.1	18.0	52
10	<b>KGE10-00</b>	M20 X 1	24	42.5	21	21	41.5	29.5	70
12	<b>KGE12-00</b>	M22 X 1	27	44	23	22	58.3	46.1	90
16	<b>KGE16-00</b>	M28 X 1.5	32	51	29	25	113	(96)	115



Note1) ( ): Values for soft nylon.



## Bulkhead connector: KGE

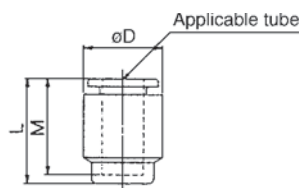


Tube O.D. (mm)	Connection thread R(PT)	Part No.	T(M)	H1 (Hex.)	H2 (Hex.)	L1	L2	Mounting hole	M	Effective <sup>(1)</sup> area (mm <sup>2</sup> )		Weight (g)			
										Nylon	Urethane				
4	1/8	<b>KGE04-01</b>	M12 X 1	14	14	27.5	11	13	16	5.6	4	16			
	1/4	<b>KGE04-02</b>		17		31	15					35			
6	1/8	<b>KGE06-01</b>	M14 X 1	17	17	31.5	11	15	17	13.1	10.4	30			
	1/4	<b>KGE06-02</b>										19	33.5	17	29
	3/8	<b>KGE06-03</b>										19	33.5	17	29
8	1/8	<b>KGE08-01</b>	M16 X 1	17	19	33	13	17	18.5	26.1	18.0	28			
	1/4	<b>KGE08-02</b>										19	35	15	48
	3/8	<b>KGE08-03</b>										19	35	15	48
10	1/4	<b>KGE10-02</b>	M20 X 1	22	24	34.5	12.5	21	21	41.5	29.5	53			
	3/8	<b>KGE10-03</b>				36.5	14					67			
12	3/8	<b>KGE12-03</b>	M22 X 1	24	27	37	14	23	22	58.3	46.1	92			
	1/2	<b>KGE12-04</b>				41	18					59			
16	3/8	<b>KGE16-03</b>	M28 X 1.5	30	32	40	14	29	25	96	(96)	127			
	1/2	<b>KGE16-04</b>				44	18					113	132		



Note1) ( ): Values for soft nylon.

## Tube cap: KGC



Tube O.D. (mm)	Part No.	øD <sup>(1)</sup>	L	M	Weight (g)
4	<b>KGC04-00</b>	10.4	17	16	3
6	<b>KGC06-00</b>	12.8	18.5	17	3
8	<b>KGC08-00</b>	15.2	20.5	18.5	4
10	<b>KGC10-00</b>	18.5	23	21	6
12	<b>KGC12-00</b>	20.9	24	22	8
16	<b>KGC16-00</b>	26.5	28	25	13



Note1) øD: max. diameter