

Pressure Gauge for General Purpose

G33/GA33 Series

RoHS



Standard Specifications

Model		G33	GA33
Type		Back side thread	Vertical side thread
Port size ⁽¹⁾		R 1/8	
Fluid ^(2,3)		Air	
Indication precision ⁽⁴⁾		±3% F.S. (Full span)	
Material	Case	Stainless steel	
	Clear cover	Glass	
	Stud	Brass	
	Bourdon tube	Brass	
Weight [kg]		0.03	0.033
Applicable model		IP5000, IR1000, IT1000	ARM2500, 3000

Note 1) When mounting a pressure gauge, use caution not to tighten excessively. Excessive tightening will cause product to be damaged. Use a pipe tape for sealing.

Note 2) When using other fluids, please consult with SMC for fluid compatibility information concerning corrosive potential.

Note 3) Avoid freezing as this may cause a malfunction.

Note 4) The guaranteed temperature range is 23°C ±5°C.

Model (Standard)

Model	Pressure range ⁽¹⁾		Indication unit	Connection thread	Note
	MPa				
G33-2-01	0 to 0.2		MPa	R 1/8	—
G33-3-01	0 to 0.3				
G33-4-01	0 to 0.4				
G33-6-01	0 to 0.6				
G33-10-01	0 to 1.0				
GA33-2-01	0 to 0.2				
GA33-4-01	0 to 0.4				
GA33-7-01	0 to 0.7				
GA33-10-01	0 to 1.0				

Note 1) Do not apply pressure more than the maximum display pressure. This will cause a malfunction.

Model (Made to Order)

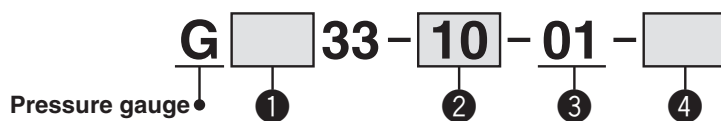
Model	Pressure range ⁽¹⁾		Indication unit	Connection thread	Note
	MPa	psi			
G33-2-01-X2	0 to 0.2	—	MPa	R 1/8	X2: Stud parts electroless nickel plated
G33-4-01-X2	0 to 0.4	—			
G33-6-01-X2	0 to 0.6	—			
G33-10-01-X2	0 to 1.0	—			
GA33-2-01-X2	0 to 0.2	—			
GA33-4-01-X2	0 to 0.4	—			X2: Stud parts nickel plated
GA33-7-01-X2	0 to 0.7	—			
GA33-10-01-X2	0 to 1.0	—			
G33-10-01-X4	0 to 1.0	—			
GA33-P10-01-X30 ⁽²⁾	0 to 1.0	0 to 150			

Note 1) Do not apply pressure more than the maximum display pressure. This will cause a malfunction.

Note 2) Under the New Measurement Law, products for overseas use only (SI unit type for use in Japan)

G33/GA33 Series

How to Order

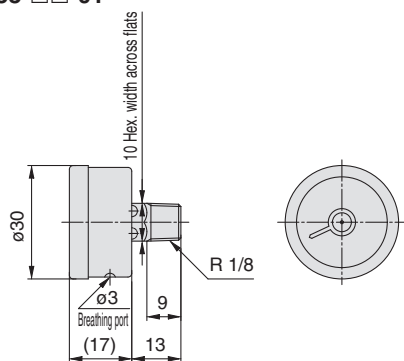


	Symbol	Description	①	
			Type	
			G33	GA33
			Back side thread	Vertical side thread
	+			
② Max. display pressure	2	0.2 MPa	●	●
	3	0.3 MPa	●	—
	4	0.4 MPa	●	●
	6	0.6 MPa	●	—
	7	0.7 MPa	●	●
	10	1.0 MPa	●	●
	P2 ⁽¹⁾	0.2 MPa, 30 psi	○ ⁽²⁾	—
	P3 ⁽¹⁾	0.3 MPa, 45 psi	○ ⁽²⁾	—
	P4 ⁽¹⁾	0.4 MPa, 60 psi	○ ⁽²⁾	—
	P7 ⁽¹⁾	0.7 MPa, 100 psi	○ ⁽²⁾	—
P10 ⁽¹⁾	1.0 MPa, 150 psi	○ ⁽²⁾	○ ⁽²⁾	
	+			
③ Connection thread	01	R 1/8	●	●
	+			
④ Special specification ^{Note 3)}	—	—	●	●
	X2	Stud parts nickel plated	●	●
	X4	Oil-free (Wetted parts degrease washing)	●	●
	X30	Both MPa and psi	○ ⁽²⁾	○ ⁽²⁾

Note 1) This symbol must be used with Special specification "X30."
 Note 2) Under the New Measurement Law, products for overseas use only (SI unit type for use in Japan)
 Note 3) X3 (Wetted parts stainless steel) specifications are not available.
 Note 4) Cover ring assembly is not available.

Dimensions

G33-□□-01



GA33-□□-01

